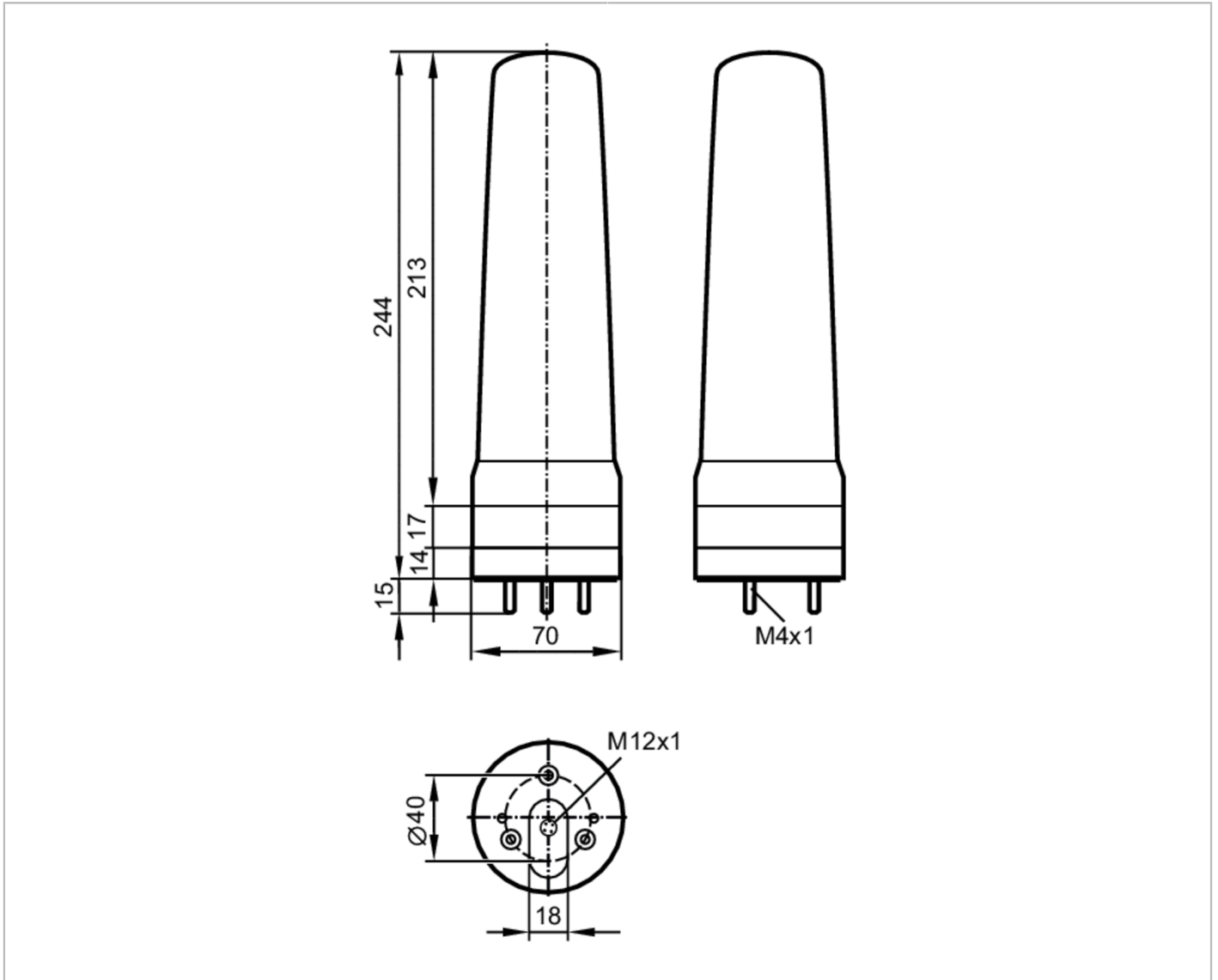


DV2520



5-segment light tower

LED-Tower-5/IO-Link



CE cULus IO-Link

Application	
Application	signalling machine conditions
Electrical data	
Operating voltage [V]	18...30 DC; (to SELV/PELV)
Nominal voltage DC [V]	24
Current consumption [mA]	< 200
Inputs	
Input current High [mA]	6



5-segment light tower

LED-Tower-5/IO-Link

Interfaces		
Communication interface		IO-Link
Transmission type		COM2 (38.4 kBaud)
IO-Link revision		1.1
SDCI standard		IEC 61131-9
IO-Link device ID		841 d / 00 03 49 h
SIO mode		yes
Required master port type		A
Min. process cycle time	[ms]	3.2
Operating conditions		
Ambient temperature	[°C]	-25...50
Storage temperature	[°C]	-40...75
Max. relative air humidity	[%]	90
Air pressure	[kPa]	< 106
Max. height above sea level	[m]	2000
Protection		IP 65
Mechanical data		
Weight	[g]	503
Dimensions	[mm]	Ø 70 / L = 244
Materials		housing: ABS; lens: PC
Displays / operating elements		
Display	LED segment	5 x 4 LEDs
Remarks		
Remarks	For further information please see the operating instructions.	
Pack quantity	1 pcs.	
Electrical connection		
1	UB+	
2	not used	
3	UB-	
4	IO-Link (C/Q)	
Connector: M12		