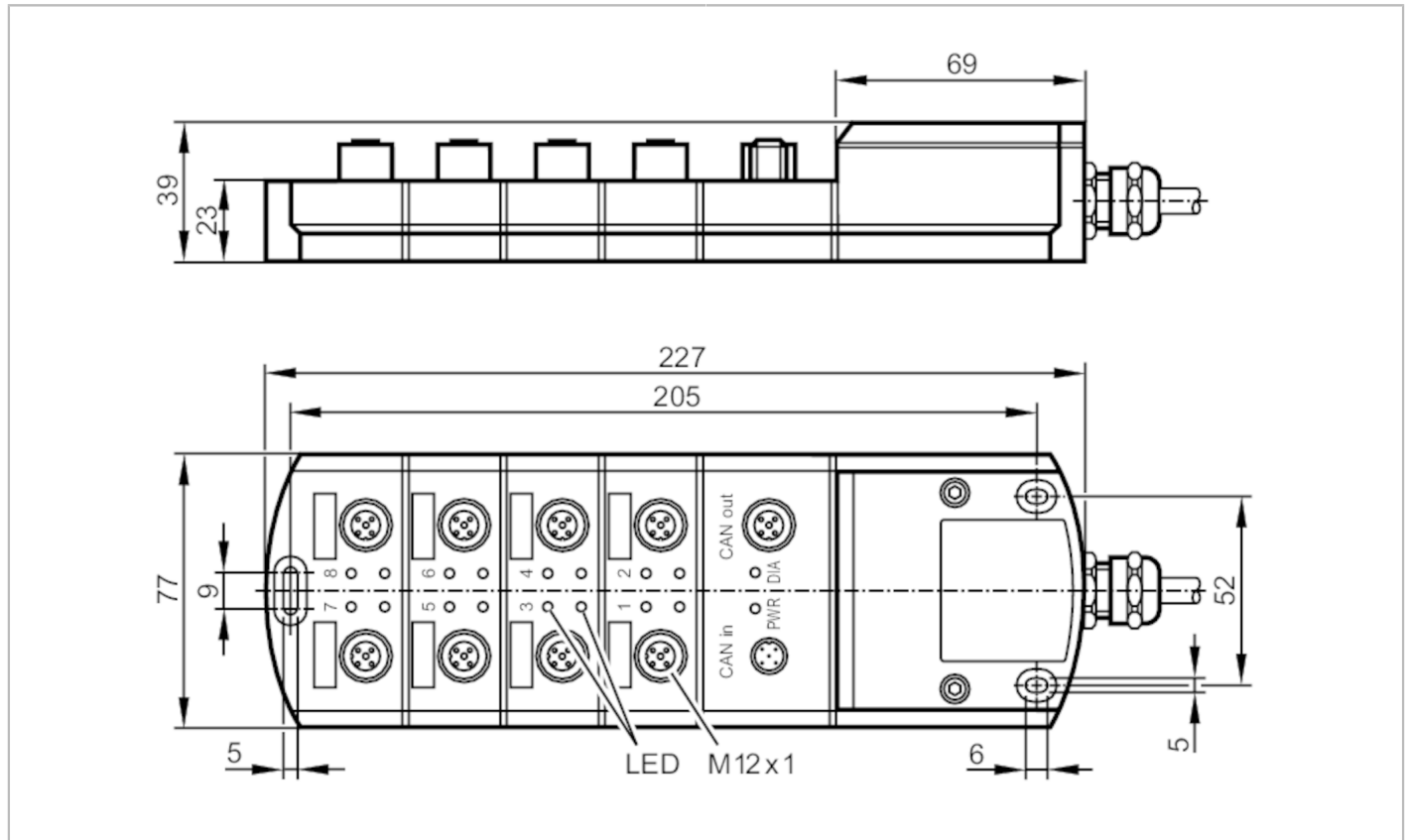


# CR2032



## I/O modules for mobile machines

R360/METAL-MODULE/II/8/O/8



Electrical data		
Operating voltage	[V]	10...32 DC
Inputs / outputs		
Total number of inputs and outputs		16
Number of inputs and outputs		Number of digital inputs: 8; Number of analogue inputs: 4; Number of digital outputs: 8
Inputs		
Number of digital inputs		8
Number of analogue inputs		4
Analogue input (current)	[mA]	0...20
Analogue input (voltage)	[V]	0...32
Outputs		
Number of digital outputs		8
Number of PWM outputs		4
Software / programming		
Parameter setting options		input/output functions
Interfaces		
Number of CAN interfaces		1
Tests / approvals		
MTTF	[years]	155

# CR2032



## I/O modules for mobile machines

R360/METAL-MODULE/II8/O/8

Mechanical data		
Weight	[g]	1807
Dimensions	[mm]	39 x 77 x 227
Remarks		
Pack quantity		1 pcs.
Electrical connection		
Connector: 1 x M12		