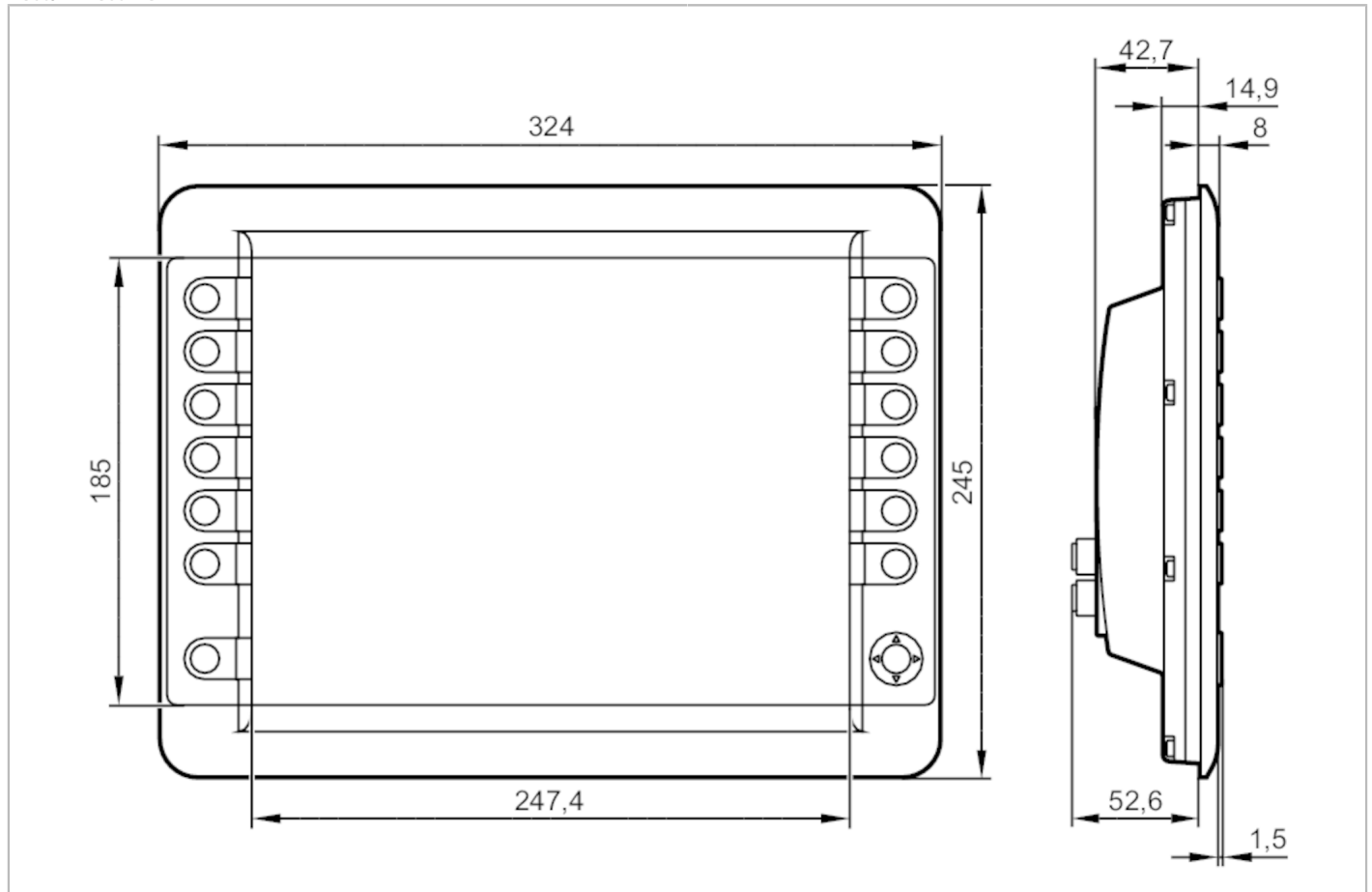


CR1200



Programmable graphic display for controlling mobile machines

R360/PDM360 NG 12"



Product characteristics	
Dimensions	[mm] 245 x 324 x 62
Electrical data	
Operating voltage	[V] 10...32 DC
Inputs / outputs	
Number of inputs and outputs	Number of digital inputs: 1; Number of analogue inputs: 1; Number of digital outputs: 1
Inputs	
Number of digital inputs	1
Number of analogue inputs	1
Analogue input (current)	[mA] 0...20
Analogue input (voltage)	[V] 0...32
Outputs	
Number of digital outputs	1
Software / programming	
PLC function to IEC 61131-3	yes

CR1200



Programmable graphic display for controlling mobile machines

R360/PDM360 NG 12"

Interfaces	
Number of CAN interfaces	4
Number of Ethernet interfaces	1
Number of USB interfaces	2
Number of video interfaces (CVBS)	2
Mechanical data	
Weight [g]	3599
Type of mounting	panel / surface
Dimensions [mm]	245 x 324 x 62
Displays / operating elements	
Display	12" colour display
Operating elements	13 freely programmable backlit function keys
	1 navigation key with pushbutton
Display resolution	1024 x 768
Display type	colour display
Display size	12"
Display background illumination	LED
Data memories	
With real-time clock	yes
Remarks	
Pack quantity	1 pcs.
Electrical connection	
Connector: 1 x M12	