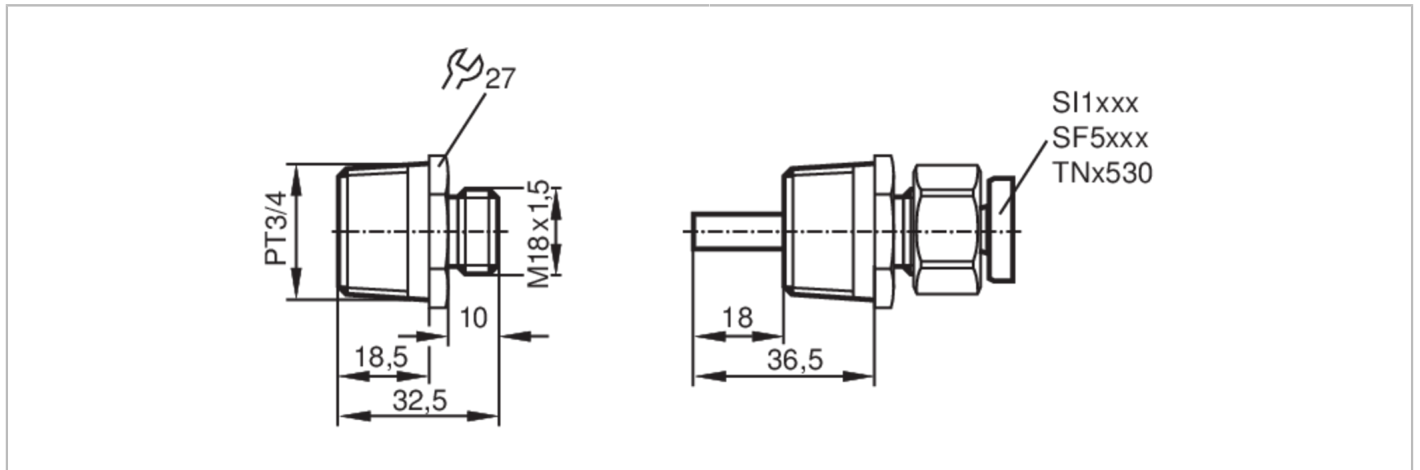


8E0512



Screw-in adapter for process sensors

ADTR, EO2, PT3/4



Mechanical data

| | | |
|--------------------|-----|---------------------------------|
| Weight | [g] | 90.718 |
| Materials | | stainless steel (1.4404 / 316L) |
| Sensor connection | | M18 x 1,5 |
| Process connection | | PT 3/4 |

Remarks

| | | |
|---------------|--|--------|
| Pack quantity | | 1 pcs. |
|---------------|--|--------|