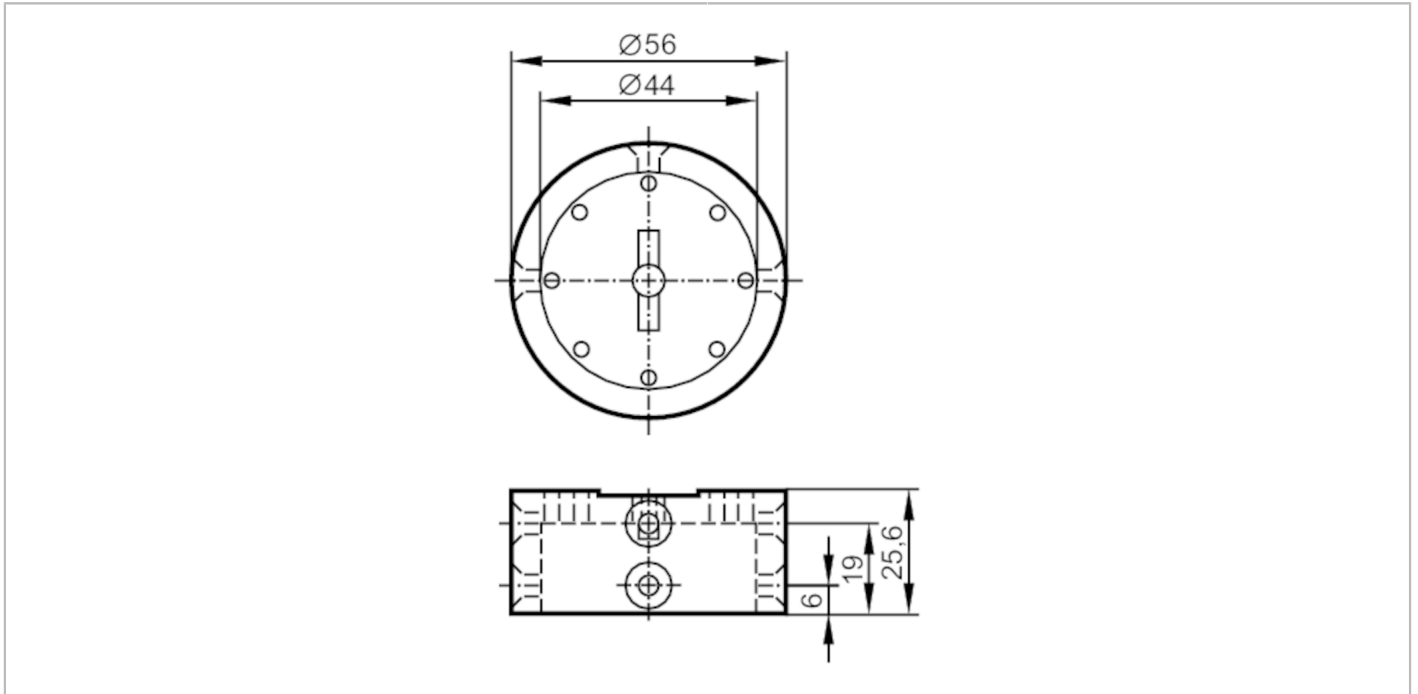




## Target pucks for valve actuators

PUCK, PKG, UNV, TYPE 1



Application	
Design	for mechanical interfaces to pneumatic actuators or manually-operated valves
Mechanical data	
Weight [g]	68.039
Target puck diameter [mm]	56
Housing colour	black
Number of possible switching flag positions	6
Materials	target puck: HDPE; puck mounting screw: stainless steel M6 x 25 mm; sensor mounting screws: stainless steel 10 - 24 x 1¼"
Accessories	
Items supplied	countersunk screws: 3, HDPE
	countersunk screws: 3 x 10-32 x 1/4", stainless steel
	counter-sunk screw: 1 x M5 x 25 mm, stainless steel
	washers: 2, stainless steel
	panhead screws: 2 x 10-24 x 1 1/4", stainless steel
	panhead screws: 2 x 10-32 x 1 1/2"
	panhead screws: 2 x M5 x 30 mm
direction indication: 1, HDPE yellow	
Remarks	
Pack quantity	1 pcs.