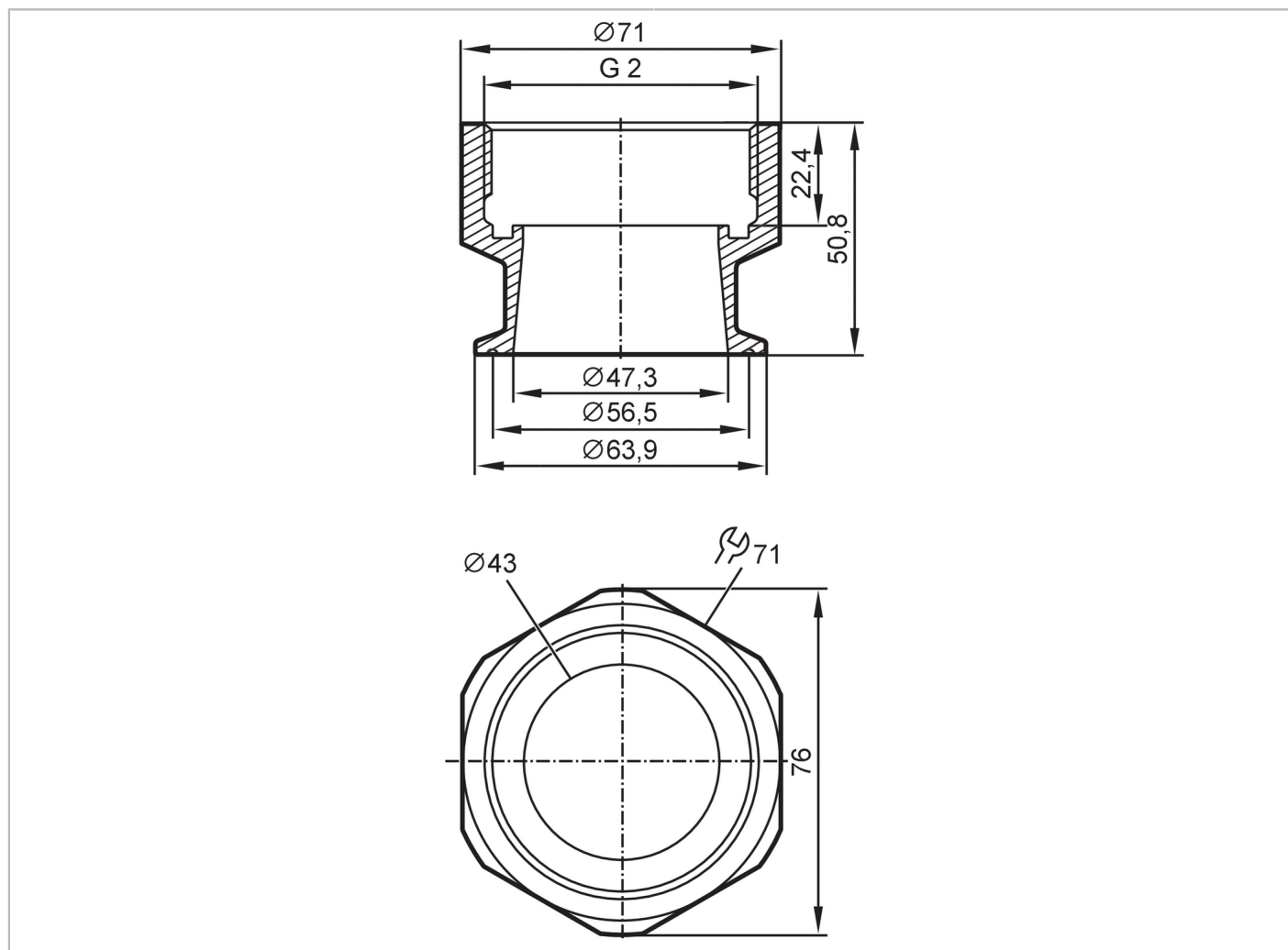


# US0043



## Mounting adapter for inline flow sensors

ADTR, SM, G2, 2" TC, SS



Application	
Design	for flow sensors Typ SM2, SM9
Mechanical data	
Weight [g]	907.184
Materials	stainless steel (316L/1.4404)
Sensor connection	G 2
Process connection	Tri-Clamp 2"
Accessories	
Items supplied	O-rings: 2, FKM
Remarks	
Pack quantity	2 pcs.