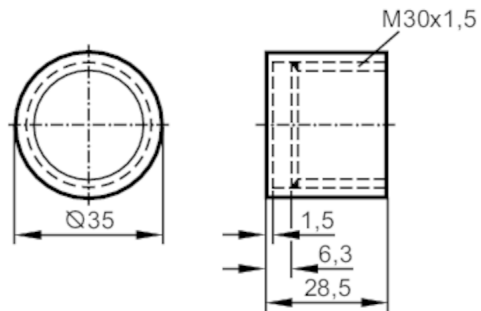


U51004



Protective sleeve for type M30

CAP, M30, TEFLON



Application

Design M30 x 1,5

Mechanical data

Weight [g] 22.68

Materials PTFE

Remarks

Pack quantity 1 pcs.