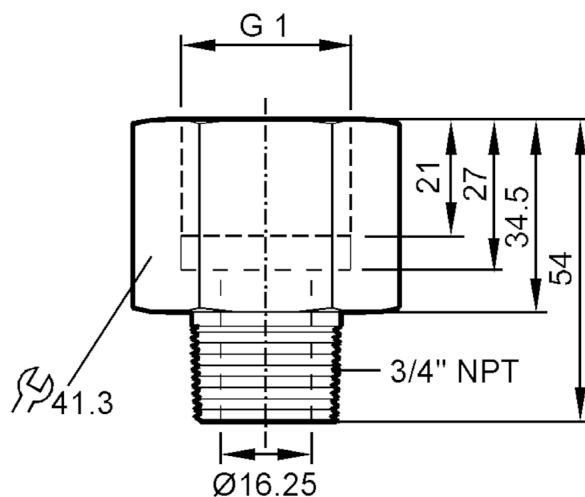


# U30033



## Screw-in adapter for process sensors

ADTR, G1, 3/4" NPT



### Application

Pressure rating [bar] 100

### Mechanical data

Weight [g] 249.476

Materials stainless steel (1.4401 / 316); Sealing: EPDM

Sensor connection G 1

Process connection 3/4" NPT

### Remarks

Pack quantity 1 pcs.