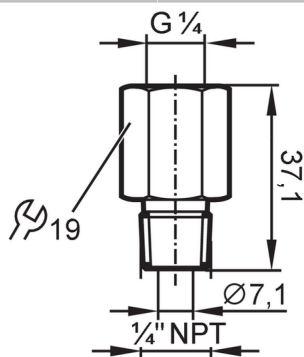


# U25003



## Screw-in adapter for process sensors

ADTR, G1/4, 1/4", F/M, WIGSK



Application	
Pressure rating	393 bar / 5700 psi
Tests / approvals	
Safety instructions	The compatibility between medium and product material has to be checked in all applications.
Mechanical data	
Weight [g]	45.359
Materials	Adapter: stainless steel (316 / 1.4401); Sealing: stainless steel / Viton
Sensor connection	G 1/4 external thread
Process connection	1/4" NPT
Accessories	
Accessories (optional)	Sealing, EPDM, E30442
Remarks	
Pack quantity	1 pcs.