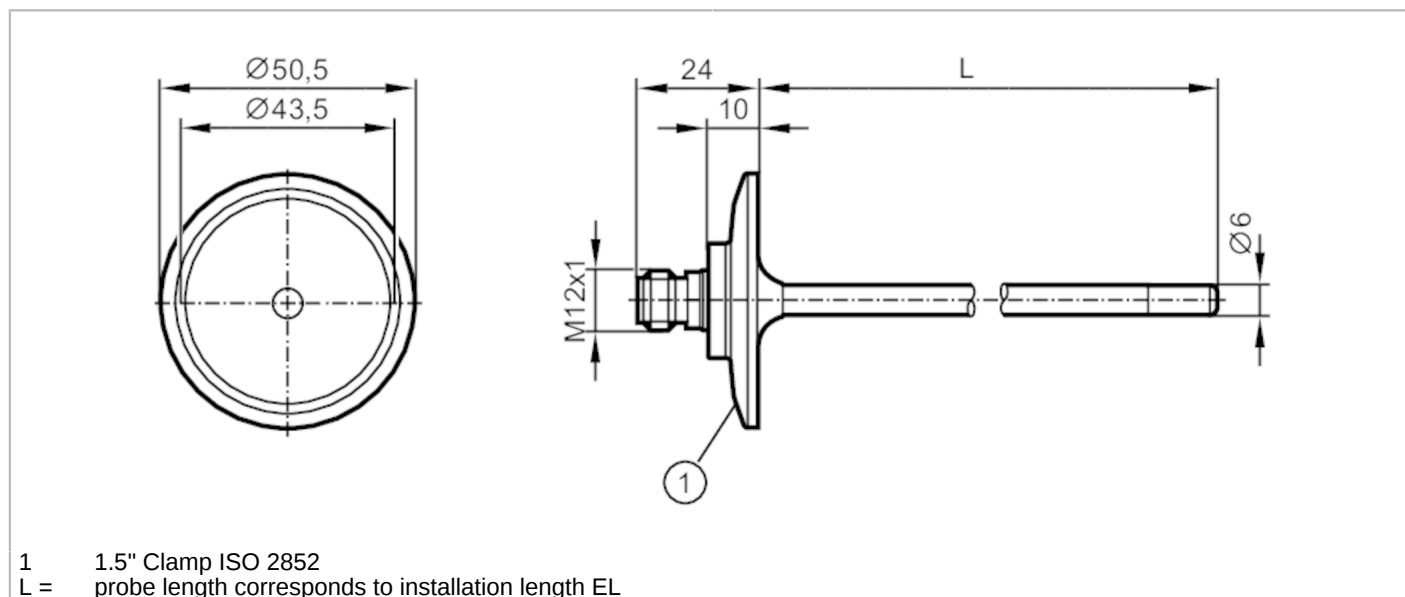


# TM4831



## Temperature sensor with process connection

TM-100KFEC01- /US/



1 1.5" Clamp ISO 2852  
L = probe length corresponds to installation length EL



EC 1935/2004

EHEGD Certified

FCM



### Product characteristics

Measuring range	-40...150 °C	-40...302 °F
Process connection	Clamp DN25...DN40 (1...1,5") DIN 32676 (ISO 2852)	
Installation length EL [mm]	100	

### Application

Special feature	Gold-plated contacts	
Measuring element	1 x Pt 100; (to DIN EN 60751, class A)	
Application	hygienic systems	
Media	liquids and gases	
Pressure rating	25 bar	2.5 MPa
Minimum installation depth [mm]	15	
MAWP for applications according to CRN [bar]	50	

### Electrical data

Protection class	III
------------------	-----

### Measuring/setting range

Probe length L [mm]	100
Measuring range	-40...150 °C -40...302 °F

### Accuracy / deviations

Accuracy [K]	± (0,15 K + 0,002 x t )
--------------	-------------------------

### Response times

Dynamic response T05 / T09 [s]	1 / 3; (to DIN EN 60751)
--------------------------------	--------------------------

### Operating conditions

Ambient temperature [°C]	-25...80
Storage temperature [°C]	-40...100
Protection	IP 68; IP 69K

# TM4831



## Temperature sensor with process connection

TM-100KFEC01- /US/

Tests / approvals		
Shock resistance	DIN EN 60068-2-2-27	50 g (11 ms)
Vibration resistance	DIN EN 60068-2-6	10 g (10...2000 Hz)
MTTF [years]		22831

Mechanical data		
Weight [g]		188.5
Housing		cylindrical
Dimensions [mm]		Ø 49.8 / L = 124
Materials		stainless steel (316L/1.4404)
Materials (wetted parts)		stainless steel (316L/1.4404) electropolished
Process connection		Clamp DN25...DN40 (1...1,5") DIN 32676 (ISO 2852)
Surface characteristics Ra/Rz of the wetted parts		Ra < 0.8 µm
Probe diameter [mm]		6
Installation length EL [mm]		100

Remarks	
Remarks	operating voltage "supply class 2" according to cULus The values for accuracy apply to flowing water.
Pack quantity	1 pcs.

### Electrical connection

Connector: 1 x M12; coding: A; Contacts: 4, gold-plated



### Connection

