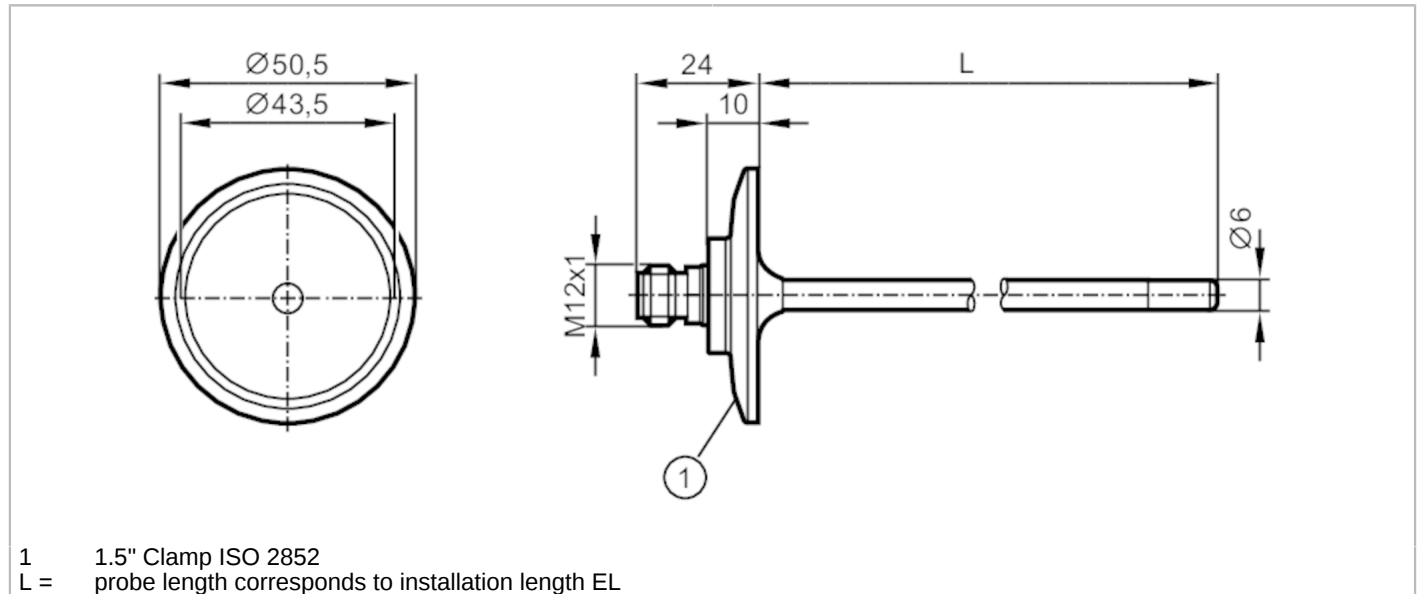


TM4811



Temperature sensor with process connection

TM-050KFEC01- /US/



Product characteristics		
Measuring range	-40...150 °C	-40...302 °F
Process connection	Clamp DN25...DN40 (1...1,5") DIN 32676 (ISO 2852)	
Installation length EL [mm]	50	
Application		
Special feature	Gold-plated contacts	
Measuring element	1 x Pt 100; (to DIN EN 60751, class A)	
Application	hygienic systems	
Media	liquids and gases	
Pressure rating	25 bar	2.5 MPa
Minimum installation depth [mm]	15	
MAWP for applications according to CRN [bar]	50	
Electrical data		
Protection class	III	
Measuring/setting range		
Probe length L [mm]	50	
Measuring range	-40...150 °C	-40...302 °F
Accuracy / deviations		
Accuracy [K]	± (0,15 K + 0,002 x t)	
Response times		
Dynamic response T05 / T09 [s]	1 / 3; (to DIN EN 60751)	
Operating conditions		
Ambient temperature [°C]	-25...80	
Storage temperature [°C]	-40...100	
Protection	IP 68; IP 69K	

TM4811



Temperature sensor with process connection

TM-050KFEC01- /US/

Tests / approvals		
Shock resistance	DIN EN 60068-2-2-27	50 g (11 ms)
Vibration resistance	DIN EN 60068-2-6	10 g (10...2000 Hz)
MTTF [years]		22831
Mechanical data		
Weight [g]		184
Housing		cylindrical
Dimensions [mm]		Ø 49.8 / L = 74
Materials		stainless steel (316L/1.4404)
Materials (wetted parts)		stainless steel (316L/1.4404) electropolished
Process connection		Clamp DN25...DN40 (1...1,5") DIN 32676 (ISO 2852)
Surface characteristics Ra/Rz of the wetted parts		Ra < 0.8 µm
Probe diameter [mm]		6
Installation length EL [mm]		50

Remarks	
Remarks	operating voltage "supply class 2" according to cULus The values for accuracy apply to flowing water.
Pack quantity	1 pcs.

Electrical connection
Connector: 1 x M12; coding: A; Contacts: 4, gold-plated
