

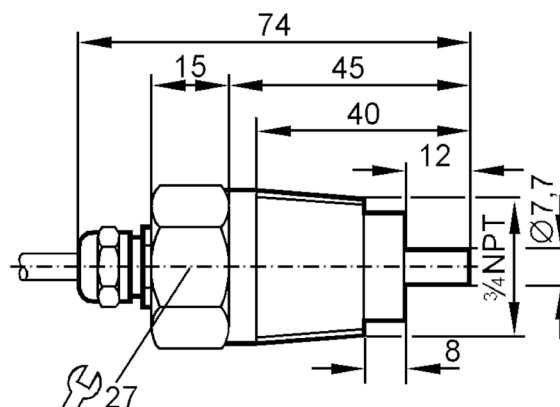
ST4010



Flow sensor for connection to an evaluation unit

STN34ABA/NPT-GEW

Article no longer available - archive entry



Product characteristics

Process connection 3/4" NPT

Application

Application high-temperature range

Media Liquids; Gases

Medium temperature [°C] -25...80

Pressure rating [bar] 30

Liquids

Application high-temperature range

Medium temperature [°C] -25...80

Gases

Medium temperature [°C] -25...80

Electrical data

Connection to control monitor VS 0100

Measuring/setting range

Liquids

Setting range [cm/s] 3...300

Greatest sensitivity [cm/s] 3...60

Gases

Setting range [cm/s] 5...1500

Accuracy / deviations

Temperature gradient [K/min] 15

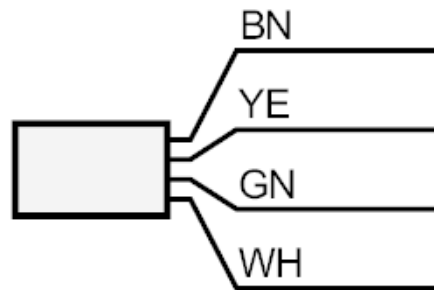
ST4010



Flow sensor for connection to an evaluation unit

STN34ABA/NPT-GEW

Response times	
Response time [s]	1...10
Liquids	
Response time [s]	1...10
Gases	
Response time [s]	1...10
Operating conditions	
Protection	IP 67
Mechanical data	
Housing	threaded type
Materials	stainless steel (1.4305 / 303)
Process connection	3/4" NPT
Remarks	
Pack quantity	1 pcs.
Electrical connection	
Cable: 2 m, Silflex-PUR; Maximum cable length: 100 m; 4 x 0.5 mm ²	
Connection	



Core colours :

BK =	black
BN =	brown
BU =	blue
WH =	white