

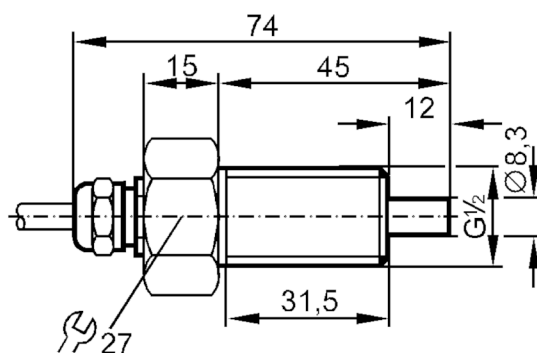
ST3213



Flow sensor for connection to an evaluation unit

STR12ABBE1/20m

Article no longer available - archive entry



Product characteristics

Process connection G 1/2 external thread

Application

Application Ex zone 1

Medium temperature [°C] -25...80

Pressure rating [bar] 30

Liquids

Application Ex zone 1

Medium temperature [°C] -25...80

Gases

Medium temperature [°C] -25...80

Electrical data

Connection to control monitor VS 0100 Ex

Measuring/setting range

Liquids

Setting range [cm/s] 3...300

Greatest sensitivity [cm/s] 3...60

Gases

Setting range [cm/s] 200...2000

Greatest sensitivity [cm/s] 100...800

Accuracy / deviations

Temperature gradient [K/min] 15

Response times

Response time [s] 1...10

ST3213

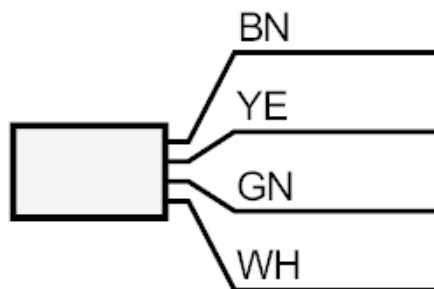


Flow sensor for connection to an evaluation unit

STR12ABBE1/20m

Liquids		
Response time	[s]	1...10
Gases		
Response time	[s]	1...10
Operating conditions		
Protection		IP 67
Mechanical data		
Housing		threaded type
Materials		stainless steel (1.4571/316Ti)
Process connection		G 1/2 external thread
Remarks		
Pack quantity		1 pcs.
Electrical connection		
Cable: 20 m, PUR; 4 x 0.34 mm ²		

Connection



Core colours :

- BN = brown
- GN = green
- WH = white
- YE = yellow