

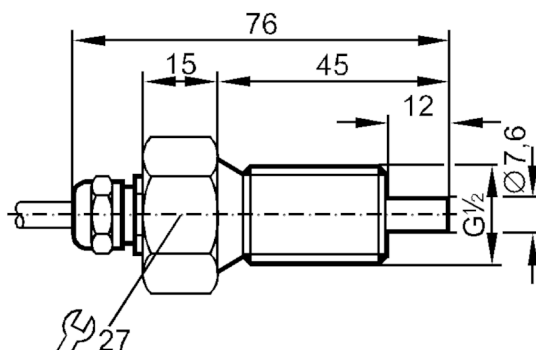
# ST3200



## Flow sensor for connection to an evaluation unit

STR12ABB

Article no longer available - archive entry



### Product characteristics

Process connection G 1/2 external thread

### Application

Application high-temperature range

Media Liquids; Gases

Medium temperature [°C] -25...80

Pressure rating [bar] 30

### Liquids

Application high-temperature range

Medium temperature [°C] -25...80

### Gases

Medium temperature [°C] -25...80

### Electrical data

Connection to control monitor VS 0100

### Measuring/setting range

#### Liquids

Setting range [cm/s] 3...300

Greatest sensitivity [cm/s] 3...60

#### Gases

Setting range [cm/s] 5...15

### Accuracy / deviations

Temperature gradient [K/min] 15

### Response times

Response time [s] 1...10

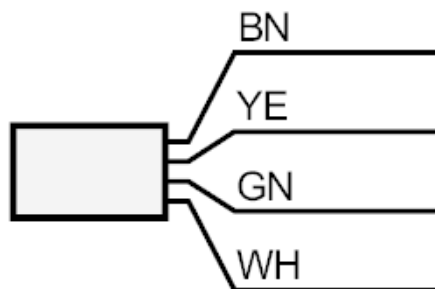
# ST3200



## Flow sensor for connection to an evaluation unit

STR12ABB

<b>Liquids</b>		
Response time	[s]	1...10
<b>Gases</b>		
Response time	[s]	1...10
<b>Operating conditions</b>		
Protection		IP 67
<b>Mechanical data</b>		
Housing		threaded type
Materials		stainless steel (1.4571/316Ti)
Process connection		G 1/2 external thread
<b>Remarks</b>		
Pack quantity		1 pcs.
<b>Electrical connection</b>		
Cable: 2 m, Silflex-PUR; Maximum cable length: 100 m; 4 x 0.25 mm <sup>2</sup>		
<b>Connection</b>		



Core colours :

BN =	brown
WH =	white
YE =	yellow
GN =	green