

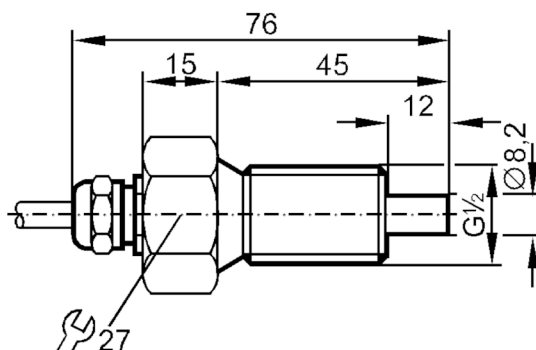
# ST3005



## Flow sensor for connection to an evaluation unit

STR12ADB

Article no longer available - archive entry



### Product characteristics

Process connection	G 1/2 external thread
--------------------	-----------------------

### Application

Application	high pressure
Media	Liquids; Gases
Medium temperature [°C]	-25...80
Pressure rating [bar]	300

### Liquids

Application	high pressure
Medium temperature [°C]	-25...80

### Gases

Medium temperature [°C]	-25...80
-------------------------	----------

### Electrical data

Connection to control monitor	VS 0100
-------------------------------	---------

### Measuring/setting range

#### Liquids

Setting range [cm/s]	3...300
Greatest sensitivity [cm/s]	3...60

#### Gases

Setting range [cm/s]	5...15
----------------------	--------

### Accuracy / deviations

Temperature gradient [K/min]	15
------------------------------	----

### Response times

Response time [s]	1...10
-------------------	--------

# ST3005

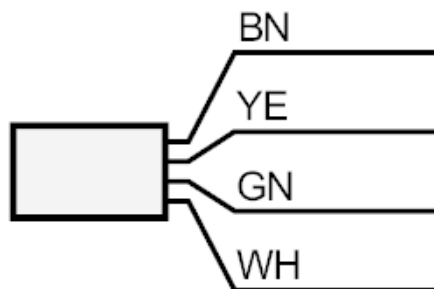


## Flow sensor for connection to an evaluation unit

STR12ADB

<b>Liquids</b>		
Response time	[s]	1...10
<b>Gases</b>		
Response time	[s]	1...10
<b>Operating conditions</b>		
Protection		IP 67
<b>Mechanical data</b>		
Housing		threaded type
Materials		stainless steel (1.4571/316Ti)
Process connection		G 1/2 external thread
<b>Remarks</b>		
Pack quantity		1 pcs.
<b>Electrical connection</b>		
Cable: 2 m, Silflex-PUR; Maximum cable length: 100 m; 4 x 0.25 mm <sup>2</sup>		

### Connection



Core colours :

- BN = brown
- WH = white
- YE = yellow
- GN = green