

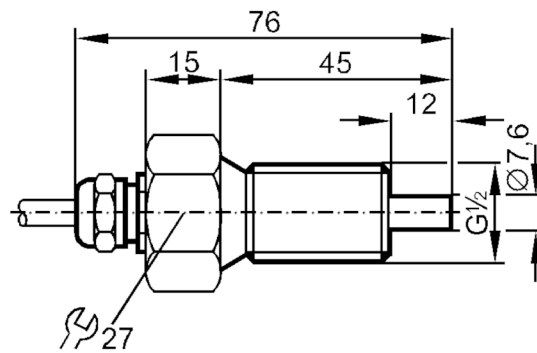
ST3000



Flow sensor for connection to an evaluation unit

STR12ABA

Article no longer available - archive entry



Product characteristics

Process connection G 1/2 external thread

Application

Application high-temperature range

Media Liquids; Gases

Medium temperature [°C] -25...80

Pressure rating [bar] 30

Liquids

Application high-temperature range

Medium temperature [°C] -25...80

Gases

Medium temperature [°C] -25...80

Electrical data

Connection to control monitor VS 0100

Measuring/setting range

Liquids

Setting range [cm/s] 3...300

Greatest sensitivity [cm/s] 3...60

Gases

Setting range [cm/s] 5...15

Accuracy / deviations

Temperature gradient [K/min] 15

Response times

Response time [s] 1...10

ST3000

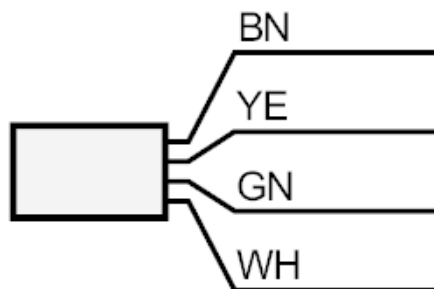


Flow sensor for connection to an evaluation unit

STR12ABA

Liquids		
Response time	[s]	1...10
Gases		
Response time	[s]	1...10
Operating conditions		
Protection		IP 67
Mechanical data		
Housing		threaded type
Materials		stainless steel (1.4305 / 303)
Process connection		G 1/2 external thread
Remarks		
Pack quantity		1 pcs.
Electrical connection		
Cable: 2 m, Silflex-PUR; Maximum cable length: 100 m; 4 x 0.25 mm ²		

Connection



Core colours :

BN =	brown
WH =	white
YE =	yellow
GN =	green