

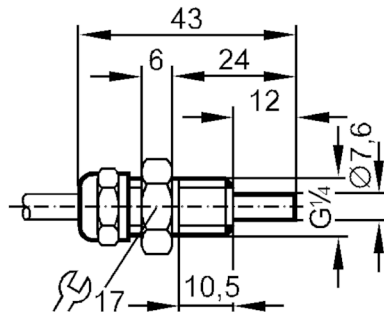
# ST2210



## Flow sensor for connection to an evaluation unit

STR14ABBE1

Article no longer available - archive entry



### Product characteristics

Process connection G 1/4 external thread

### Application

Application Ex zone 1

Medium temperature [°C] -25...80

Pressure rating [bar] 30

### Liquids

Application Ex zone 1

Medium temperature [°C] -25...80

### Gases

Medium temperature [°C] -25...80

### Electrical data

Connection to control monitor VS 0100 Ex

### Measuring/setting range

#### Liquids

Setting range [cm/s] 3...300

Greatest sensitivity [cm/s] 3...60

#### Gases

Setting range [cm/s] 5...1500

### Accuracy / deviations

Temperature gradient [K/min] 15

### Response times

Response time [s] 1...10

#### Liquids

Response time [s] 1...10

#### Gases

Response time [s] 1...10

### Operating conditions

Protection IP 67

# ST2210



## Flow sensor for connection to an evaluation unit

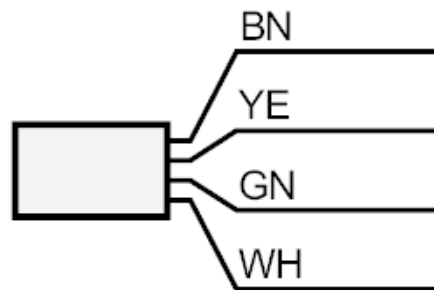
STR14ABBE1

Mechanical data	
Housing	threaded type
Materials	stainless steel (1.4571/316Ti)
Process connection	G 1/4 external thread

Remarks	
Pack quantity	1 pcs.

Electrical connection	
Cable: 2 m, Silflex-PUR; Maximum cable length: 100 m; 4 x 0.25 mm <sup>2</sup>	

### Connection



	Core colours :
BN =	brown
GN =	green
WH =	white
YE =	yellow