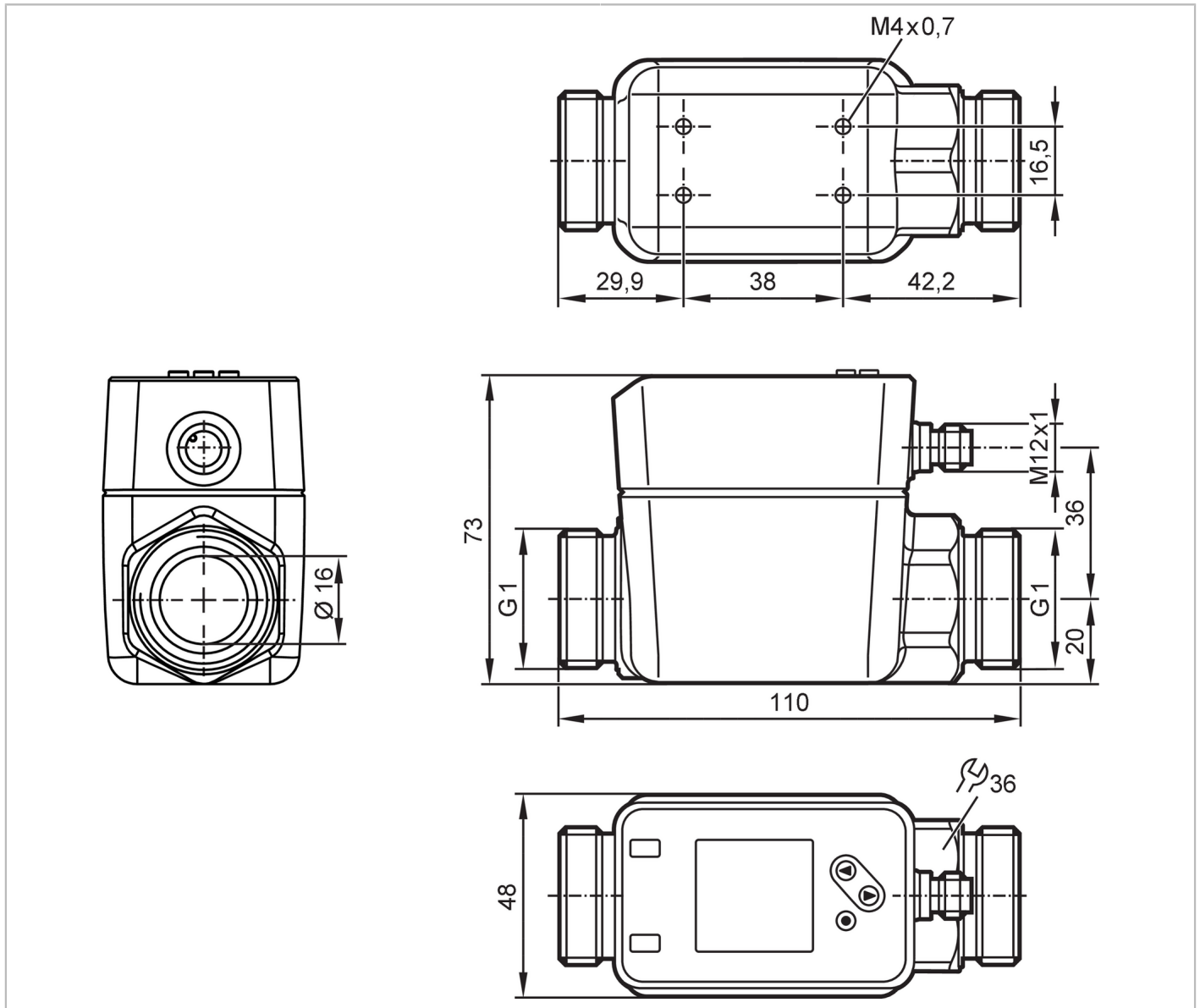


# SM8130



## Magnetic-inductive flow meter

SMR11XGXFRKG/US-100



Product characteristics	
Number of inputs and outputs	Number of digital outputs: 2; Number of analogue outputs: 1
Measuring range [l/min]	0.2...250
Process connection	threaded connection G 1 external thread DN25 flat seal
Application	
Special feature	Gold-plated contacts
Media	conductive liquids; water; hydrous media
Note on media	conductivity: $\geq 20 \mu\text{S/cm}$ viscosity: $< 70 \text{ mm}^2/\text{s}$ (40 °C)
Medium temperature [°C]	-20...90
Pressure rating	16 bar   1.6 MPa
Electrical data	
Operating voltage [V]	18...30 DC; (to SELV/PELV)

# SM8130



## Magnetic-inductive flow meter

SMR11XGXFRKG/US-100

Current consumption	[mA]	< 80
Protection class		III
Reverse polarity protection		yes
Power-on delay time	[s]	5
Measuring principle		magnetic-inductive

### Inputs / outputs

Number of inputs and outputs      Number of digital outputs: 2; Number of analogue outputs: 1

#### Inputs

Inputs      counter reset

#### Outputs

Total number of outputs		2
Output signal		switching signal; analogue signal; pulse signal; IO-Link; frequency signal; (configurable)
Electrical design		PNP/NPN
Number of digital outputs		2
Output function		normally open / normally closed; (parameterisable)
Max. voltage drop switching output DC	[V]	2
Permanent current rating of switching output DC	[mA]	100
Number of analogue outputs		1
Analogue current output	[mA]	4...20; (scalable)
Max. load	[Ω]	500
Pulse output		flow rate meter
Short-circuit protection		yes
Type of short-circuit protection		pulsed
Overload protection		yes

### Measuring/setting range

Measuring range	[l/min]	0.2...250
Display range	[l/min]	-300...300
Resolution	[l/min]	0.1
Set point SP	[l/min]	1.6...250
Reset point rP	[l/min]	0.3...248.7
Analogue start point ASP	[l/min]	0...199.9
Analogue end point AEP	[l/min]	50.1...250
Low flow cut-off LFC	[l/min]	0.2...12.5
Frequency end point, FEP	[l/min]	50.1...250
Frequency at the end point FRP	[Hz]	1...10000

### Volumetric flow quantity monitoring

Pulse length	[s]	0.002...2
Pulse value		0.01...99990000.00 l

### Temperature monitoring

Measuring range	[°C]	-20...90
-----------------	------	----------

# SM8130



## Magnetic-inductive flow meter

SMR11XGXFRKG/US-100

Display range	[°C]	-42...112
Resolution	[°C]	0.1
Set point SP	[°C]	-19.6...90
Reset point rP	[°C]	-20...89.6
Analogue start point	[°C]	-20...68
Analogue end point	[°C]	2...90
In steps of	[°C]	0.1

### Accuracy / deviations

Flow monitoring		
Accuracy (in the measuring range)		± (0,8 % MW + 0,2 % MEW)
Repeatability		± 0,2 % MEW

Temperature monitoring		
Accuracy	[K]	± 2,5 (Q > 5 % MEW)

### Response times

Flow monitoring		
Start-up delay	[s]	0...50
Response time	[s]	< 0.25; (dAP = 0, T09)
Damping process value dAP	[s]	0...5

Temperature monitoring		
Response time	[s]	15; (Q > 10 % MEW, T09)

### Software / programming

Parameter setting options	hysteresis / window; normally open / normally closed; switching logic; frequency output; current/pulse output; start-up delay; display can be deactivated; Display unit	
---------------------------	---	--

### Interfaces

Communication interface	IO-Link	
Transmission type	COM2 (38,4 kBaud)	
IO-Link revision	1.1	
SDCI standard	IEC 61131-9	
Profiles	Common - I&D	Identification and Diagnosis
	Function	Measurement data, standard resolution
SIO mode	yes	
Required master port type	A	
Process data analogue	3	
Process data binary	2	
Min. process cycle time	[ms]	8
Supported DeviceIDs	<b>Type of operation</b>	<b>DeviceID</b>
	default	1303

### Operating conditions

Ambient temperature	[°C]	-20...60
Storage temperature	[°C]	-25...80
Protection		IP 65; IP 67

### Tests / approvals

EMC	DIN EN 60947-5-9	
-----	------------------	--

# SM8130



## Magnetic-inductive flow meter

SMR11XGXFRKG/US-100

Shock resistance	DIN IEC 68-2-27	20 g (11 ms)
Vibration resistance	DIN IEC 68-2-6:	5 g (10...2000 Hz)
MTTF [years]		114
UL approval	UL approval no.	I014
	File number UL	E174189
Pressure Equipment Directive	Sound engineering practice; can be used for group 2 fluids; group 1 fluids on request	

### Mechanical data

Weight [g]	775.4
Housing	rectangular
Dimensions [mm]	110 x 48 x 73
Materials	stainless steel (316/1.4408); stainless steel (316L/1.4404); PC; PBT+PC-GF30
Materials (wetted parts)	Pipe section: stainless steel (316L/1.4404); Process connection sealing: NBR reinforced fibre Flat seal; PEEK; EPDM; carbon fibre PEEK
Process connection	threaded connection G 1 external thread DN25 flat seal

### Displays / operating elements

Display	colour display 1,44", 128 x 128 pixels
	2 x LED, yellow

### Remarks

Remarks	MW = measured value
	MEW = Final value of the measuring range
Pack quantity	1 pcs.

### Electrical connection

Connector: 1 x M12; coding: A; Contacts: gold-plated



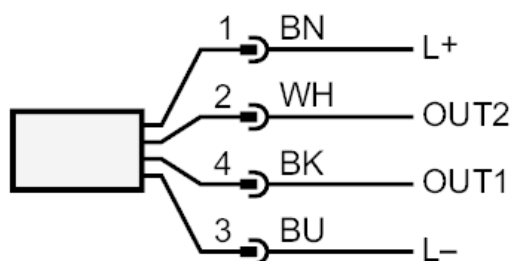
# SM8130



## Magnetic-inductive flow meter

SMR11XGXFRKG/US-100

### Connection



OUT1:	colours to DIN EN 60947-5-2 switching output volumetric flow quantity monitoring switching output Temperature monitoring Pulse output quantity meter frequency output volumetric flow monitoring frequency output Temperature monitoring signal output Preset counter IO-Link
OUT2:	switching output volumetric flow quantity monitoring switching output Temperature monitoring analogue output flow analogue output temperature input counter reset Core colours :
BK =	black
BN =	brown
BU =	blue
WH =	white

# SM8130

## Magnetic-inductive flow meter

SMR11XGXFRKG/US-100



### Diagrams and graphs

