

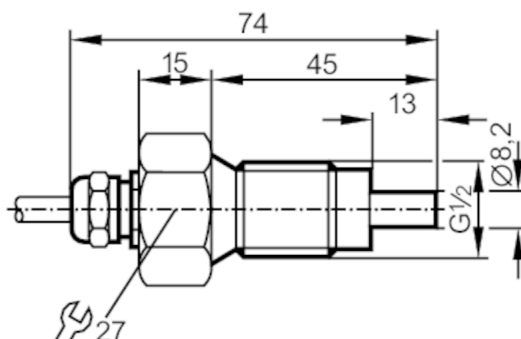
# SF3007



## Flow sensor for connection to an evaluation unit

SFR12ADB/10M

Article no longer available - archive entry



### Product characteristics

Process connection	G 1/2 external thread
--------------------	-----------------------

### Application

Application	high pressure
Media	Liquids; Gases
Medium temperature [°C]	-25...80
Pressure rating [bar]	300

### Liquids

Application	high pressure
Medium temperature [°C]	-25...80

### Gases

Medium temperature [°C]	-25...80
-------------------------	----------

### Electrical data

Connection to control monitor	VS 0200
-------------------------------	---------

### Measuring/setting range

#### Liquids

Setting range [cm/s]	3...300
Greatest sensitivity [cm/s]	3...60

#### Gases

Setting range [cm/s]	200...2000
Greatest sensitivity [cm/s]	200...800

### Accuracy / deviations

Temperature gradient [K/min]	15
------------------------------	----

### Response times

Response time [s]	1...10
-------------------	--------

#### Liquids

Response time [s]	1...10
-------------------	--------

#### Gases

Response time [s]	1...10
-------------------	--------

# SF3007

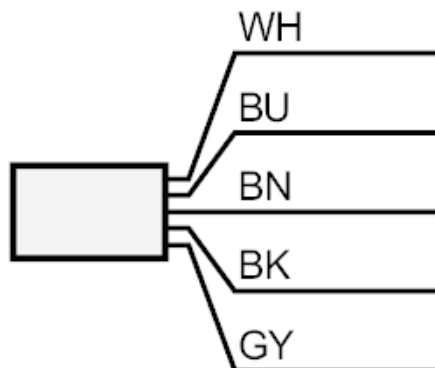


## Flow sensor for connection to an evaluation unit

SFR12ADB/10M

Operating conditions		
Protection	IP 67	
Tests / approvals		
Shock resistance	DIN IEC 68-2-27	40 g (11 ms)
Vibration resistance	DIN IEC 68-2-6	10 g (55...2000 Hz)
Mechanical data		
Housing	threaded type	
Materials	stainless steel (1.4571/316Ti )	
Materials (wetted parts)	stainless steel (1.4571/316Ti )	
Process connection	G 1/2 external thread	
Remarks		
Pack quantity	1 pcs.	
Electrical connection		
Cable: 10 m, PUR / PVC; 5 x 0.34 mm <sup>2</sup>		

### Connection



	Core colours :
BN =	brown
BU =	blue
BK =	black
WH =	white
GY =	grey