

# SF3005



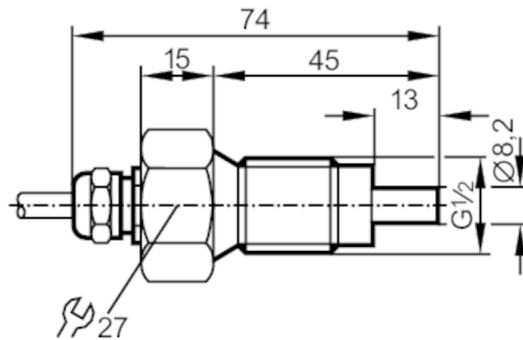
## Flow sensor for connection to an evaluation unit

SFR12ADB

Article no longer available - archive entry

Alternative articles: SF5350 + E40096

When selecting an alternative article and accessories please note that technical data may differ!



### Product characteristics

Process connection G 1/2 external thread

### Application

Application high pressure  
 Media Liquids; Gases  
 Medium temperature [°C] -25...80  
 Pressure rating [bar] 300

### Liquids

Application high pressure  
 Medium temperature [°C] -25...80

### Gases

Medium temperature [°C] -25...80

### Electrical data

Connection to control monitor VS 0200

### Measuring/setting range

#### Liquids

Setting range [cm/s] 3...300  
 Greatest sensitivity [cm/s] 3...60

#### Gases

Setting range [cm/s] 200...2000  
 Greatest sensitivity [cm/s] 200...800

### Accuracy / deviations

Temperature gradient [K/min] 15

### Response times

Response time [s] 1...10

#### Liquids

Response time [s] 1...10

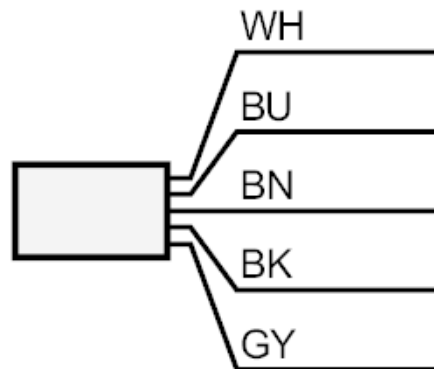
# SF3005



## Flow sensor for connection to an evaluation unit

SFR12ADB

Gases		
Response time	[s]	1...10
Operating conditions		
Protection		IP 67
Tests / approvals		
Shock resistance	DIN IEC 68-2-27	40 g (11 ms)
Vibration resistance	DIN IEC 68-2-6	10 g (55...2000 Hz)
Mechanical data		
Housing		threaded type
Materials		stainless steel (1.4571/316Ti)
Materials (wetted parts)		stainless steel (1.4571/316Ti)
Process connection		G 1/2 external thread
Remarks		
Pack quantity		1 pcs.
Electrical connection		
Cable: 2 m, PUR; Maximum cable length: 100 m; 5 x 0.34 mm <sup>2</sup> , PVC		
Connection		



Core colours :

BN =	brown
BU =	blue
BK =	black
WH =	white
GY =	grey