

SF3407



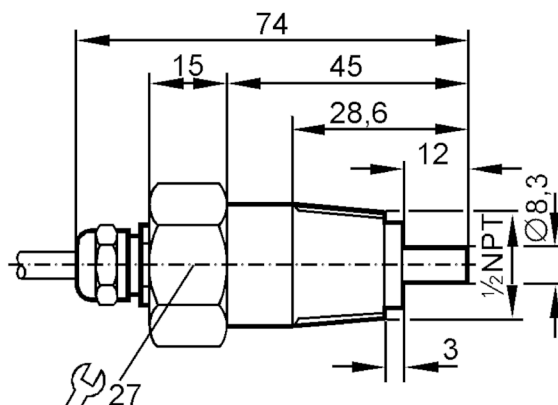
Flow sensor for connection to an evaluation unit

SFN12AAC

Article no longer available - archive entry

Alternative articles: SF5800 + E40127

When selecting an alternative article and accessories please note that technical data may differ!



Product characteristics

Process connection 1/2" NPT

Application

Media Liquids; aggressive media

Medium temperature [°C] -25...80

Pressure rating [bar] 5

Liquids

Medium temperature [°C] -25...80

Electrical data

Connection to control monitor VS 0200

Measuring/setting range

Liquids

Setting range [cm/s] 0...60

Greatest sensitivity [cm/s] 0...20

Accuracy / deviations

Temperature gradient [K/min] 15

Response times

Response time [s] 2...20

Liquids

Response time [s] 2...20

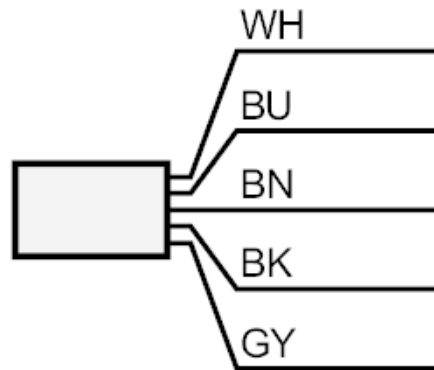
SF3407



Flow sensor for connection to an evaluation unit

SFN12AAC

Operating conditions	
Protection	IP 67
Mechanical data	
Housing	threaded type
Materials	PTFE
Materials (wetted parts)	PTFE
Process connection	1/2" NPT
Remarks	
Pack quantity	1 pcs.
Electrical connection	
Cable: 6 m, PUR; Maximum cable length: 100 m; 5 x 0.34 mm ²	
Connection	



Core colours :

BN =	brown
BU =	blue
BK =	black
WH =	white
GY =	grey