

# SF2000



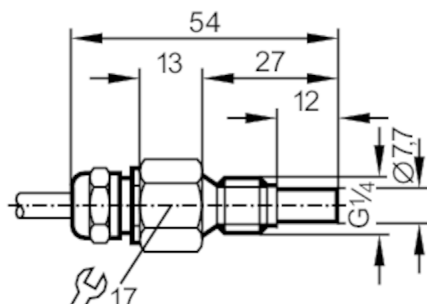
## Flow sensor for connection to an evaluation unit

SFR14ABA

Article no longer available - archive entry

Alternative articles: SF5350 + E40099

When selecting an alternative article and accessories please note that technical data may differ!



### Product characteristics

Process connection G 1/4 external thread

### Application

Application high-temperature range

Media Liquids; Gases

Medium temperature [°C] -25...80

Pressure rating [bar] 30

### Liquids

Application high-temperature range

Medium temperature [°C] -25...80

### Gases

Medium temperature [°C] -25...80

### Electrical data

Connection to control monitor VS 0200

### Measuring/setting range

#### Liquids

Setting range [cm/s] 3...300

Greatest sensitivity [cm/s] 3...60

#### Gases

Setting range [cm/s] 200...2000

Greatest sensitivity [cm/s] 200...800

### Accuracy / deviations

Temperature gradient [K/min] 15

### Response times

Response time [s] 1...10

#### Liquids

Response time [s] 1...10

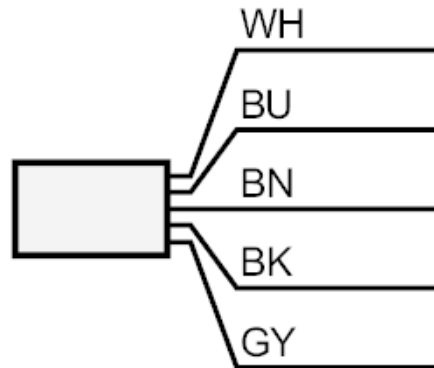
# SF2000



## Flow sensor for connection to an evaluation unit

SFR14ABA

| Gases  |                                |
|--|--------------------------------|
| Response time  | [s] 1...10                     |
| Operating conditions   |                                |
| Protection   | IP 67                          |
| Mechanical data  |                                |
| Housing  | threaded type                  |
| Materials  | stainless steel (1.4305 / 303) |
| Materials (wetted parts)   | stainless steel (1.4305 / 303) |
| Process connection   | G 1/4 external thread          |
| Accessories  |                                |
| Items supplied   | sealings: 2 x AMF 30           |
| Remarks  |                                |
| Pack quantity  | 1 pcs.                         |
| Electrical connection  |                                |
| Cable: 2 m, PUR; Maximum cable length: 100 m; 5 x 0.34 mm <sup>2</sup> , PVC |                                |
| Connection   |                                |



Core colours :

|      |       |
|------|-------|
| BN = | brown |
| BU = | blue  |
| BK = | black |
| WH = | white |
| GY = | grey  |