

# SF0505



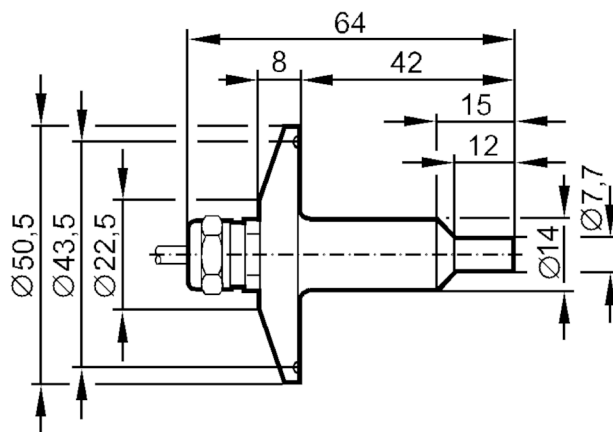
## Flow sensor for connection to an evaluation unit

SFG14ZBB

Article no longer available - archive entry

Alternative articles: SF0516

When selecting an alternative article and accessories please note that technical data may differ!



### Product characteristics

Process connection Clamp DN25 ISO 2852

### Application

Application high-temperature range; hygienic applications

Pressure rating [bar] 30

### Liquids

Application high-temperature range; hygienic applications

Medium temperature [°C] 0...120

### Gases

Medium temperature [°C] 0...100

### Electrical data

Connection to control monitor VS 0200

### Measuring/setting range

#### Liquids

Setting range [cm/s] 3...300

Greatest sensitivity [cm/s] 3...60

#### Gases

Setting range [cm/s] 200...2000

Greatest sensitivity [cm/s] 200...800

### Accuracy / deviations

Temperature gradient [K/min] 15

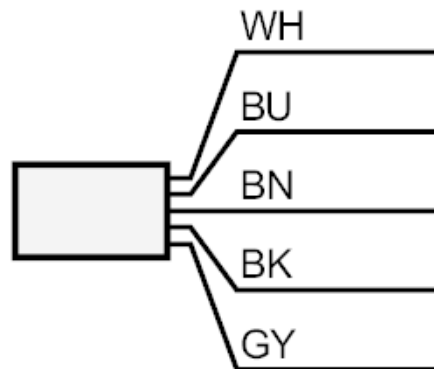
# SF0505



## Flow sensor for connection to an evaluation unit

SFG14ZBB

Response times	
Response time [s]	1...10
Liquids	
Response time [s]	1...10
Gases	
Response time [s]	1...10
Operating conditions	
Protection	IP 67
Mechanical data	
Materials	stainless steel (1.4571/316Ti)
Materials (wetted parts)	stainless steel (1.4571/316Ti)
Process connection	Clamp DN25 ISO 2852
Remarks	
Pack quantity	1 pcs.
Electrical connection	
Cable: 2 m, silicone; Maximum cable length: 100 m; 5 x 0.34 mm <sup>2</sup>	
Connection	



### Core colours :

BN =	brown
BU =	blue
BK =	black
WH =	white
GY =	grey