

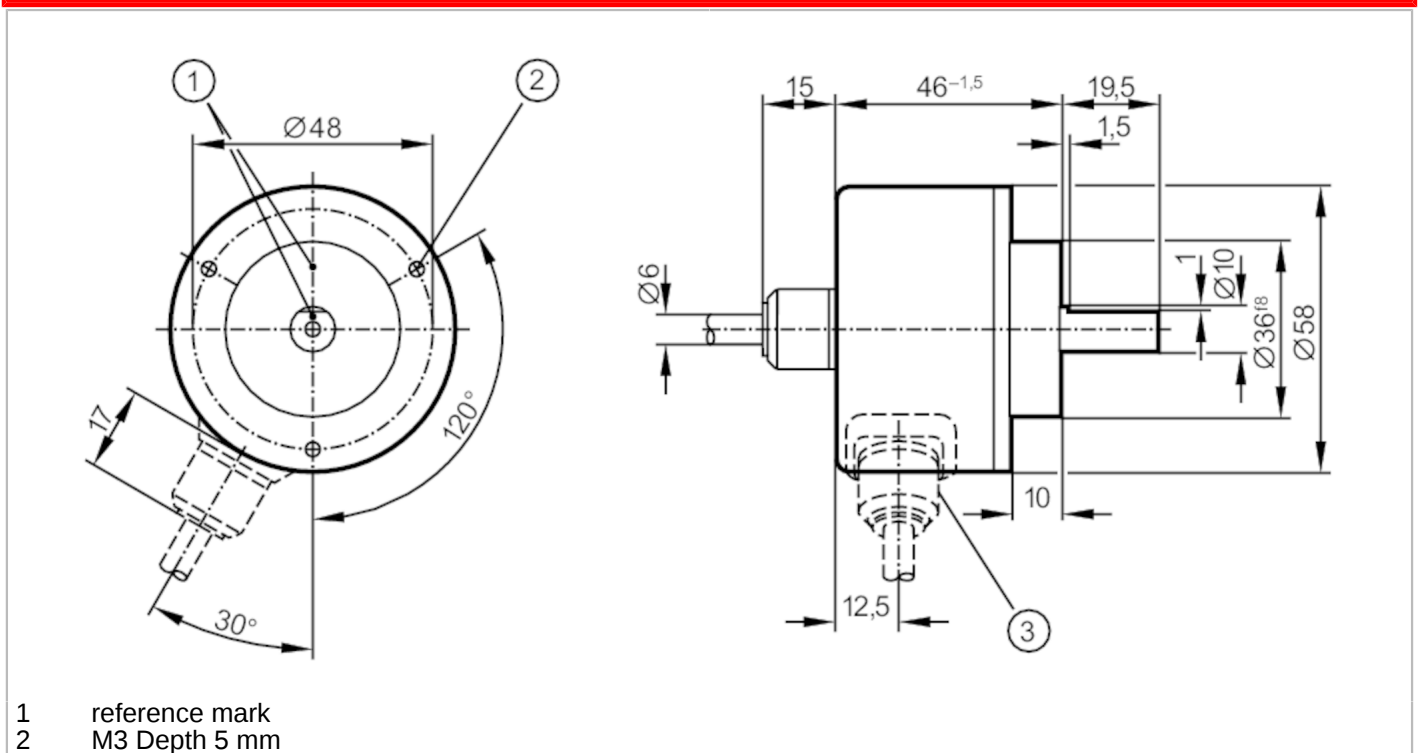
# RV6031



## Incremental encoder with solid shaft

RV-1750-I24/L2

Article no longer available - archive entry



| Electrical data                   |                               |
|-----------------------------------|-------------------------------|
| Operating voltage [V]             | 10...30 DC                    |
| Current consumption [mA]          | 150                           |
| Outputs                           |                               |
| Electrical design                 | HTL                           |
| Max. current load per output [mA] | 50                            |
| Switching frequency [kHz]         | 300                           |
| Type of short-circuit protection  | < 60 s                        |
| Phase difference A and B [°]      | 90                            |
| Measuring/setting range           |                               |
| Resolution                        | 1750 resolution               |
| Operating conditions              |                               |
| Ambient temperature [°C]          | -30...85                      |
| Note on ambient temperature       | for firmly laid cable: -30 °C |
| Storage temperature [°C]          | -30...100                     |
| Max. relative air humidity [%]    | 98                            |
| Protection                        | IP 64                         |
| Tests / approvals                 |                               |
| Shock resistance                  | 100 g (6 ms)                  |
| Vibration resistance              | 10 g (55...2000 Hz)           |

# RV6031



## Incremental encoder with solid shaft

RV-1750-I24/L2

| Mechanical data                           |         |                |
|-------------------------------------------|---------|----------------|
| Dimensions                                | [mm]    | Ø 58 / L = 46  |
| Materials                                 |         | aluminium      |
| Max. revolution, mechanical               | [U/min] | 12000          |
| Max. starting torque                      | [Nm]    | 1              |
| Reference temperature torque              | [°C]    | 20             |
| Shaft design                              |         | solid shaft    |
| Shaft diameter                            | [mm]    | 10             |
| Shaft material                            |         | steel (1.4104) |
| Max. shaft load axial (at the shaft end)  | [N]     | 10             |
| Max. shaft load radial (at the shaft end) | [N]     | 20             |

| Electrical connection  |                  |
|------------------------|------------------|
| Cable: 2 m, PUR; axial |                  |
| brown                  | A                |
| green                  | A inverted       |
| grey                   | B                |
| pink                   | B inverted       |
| red                    | 0 index          |
| black                  | 0 index inverted |
| blue                   | L+ sensor        |
| white                  | 0V sensor        |
| brown/green            | L+ (Up)          |
| white/green            | 0V (Un)          |
| lilac                  | failure inverted |
| screen                 | housing          |

| Diagrams and graphs |                                          |
|---------------------|------------------------------------------|
| Pulse diagram       | <p>Output A<br/>Output B<br/>0 index</p> |

Article no longer available - archive entry