

# RO1378

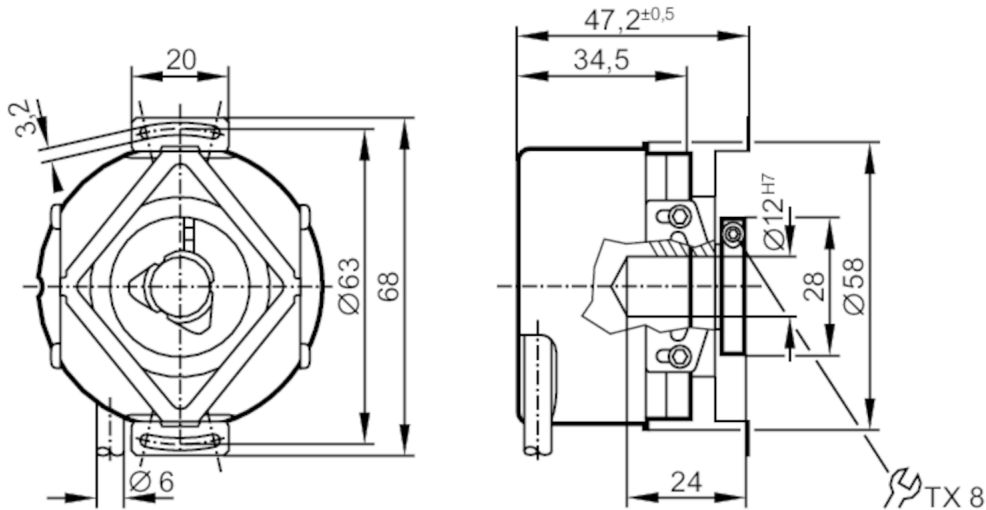


## Incremental encoder with hollow shaft

RO-0360-I05/N6U

Article no longer available - archive entry

Alternative article: ROP521 + E11855 When selecting an alternative article and accessories please note that technical data may differ! – When selecting an alternative article and accessories please note that technical data may differ! – Discontinuation date: 31.03.2016



### Product characteristics

Resolution	360 resolution
Shaft design	hollow shaft open to one side
Shaft diameter [mm]	12

### Application

Function principle	incremental
--------------------	-------------

### Electrical data

Operating voltage tolerance [%]	10
Operating voltage [V]	5 DC
Current consumption [mA]	< 120

### Outputs

Electrical design	TTL
Max. current load per output [mA]	20
Switching frequency [kHz]	300
Phase difference A and B [°]	90

### Measuring/setting range

Resolution	360 resolution
------------	----------------

### Operating conditions

Ambient temperature [°C]	-40...100
Max. relative air humidity [%]	98
Protection	IP 64; (on the housing: IP 67; on the shaft: IP 64)

# RO1378



## Incremental encoder with hollow shaft

RO-0360-I05/N6U

Tests / approvals	
Shock resistance	200 g
Vibration resistance	30 g
Mechanical data	
Weight [g]	721.4
Dimensions [mm]	Ø 58 / L = 35.5
Materials	aluminium
Max. revolution, mechanical [U/min]	12000
Max. starting torque [Nm]	1
Reference temperature torque [°C]	20
Shaft design	hollow shaft open to one side
Shaft diameter [mm]	12
Shaft fit	H7
Shaft material	stainless steel
Installation depth of shaft [mm]	10
Max. axial shaft misalignment [mm]	1; (max. radial shaft alignment: ± 0,05 mm)
Remarks	
Notes	discontinued article
Electrical connection	
Cable: 6 m, PUR; Maximum cable length: 100 m; radial, can also be used axially	
brown	A
green	A inverted
grey	B
pink	B inverted
red	0 index
black	0 index inverted
blue	L+ sensor
white	0V sensor
brown/green	L+ (Up)
white/green	0V (Un)
lilac	failure inverted
screen	housing
Diagrams and graphs	
Pulse diagram	<p>Output A Output B 0 index</p>

Article no longer available - archive entry

# RO1378

## Incremental encoder with hollow shaft

RO-0360-I05/N6U



Alternative article: ROP521 + E11855 When selecting an alternative article and accessories please note that technical data may differ! – When selecting an alternative article and accessories please note that technical data may differ! – Discontinuation date: 31.03.2016