

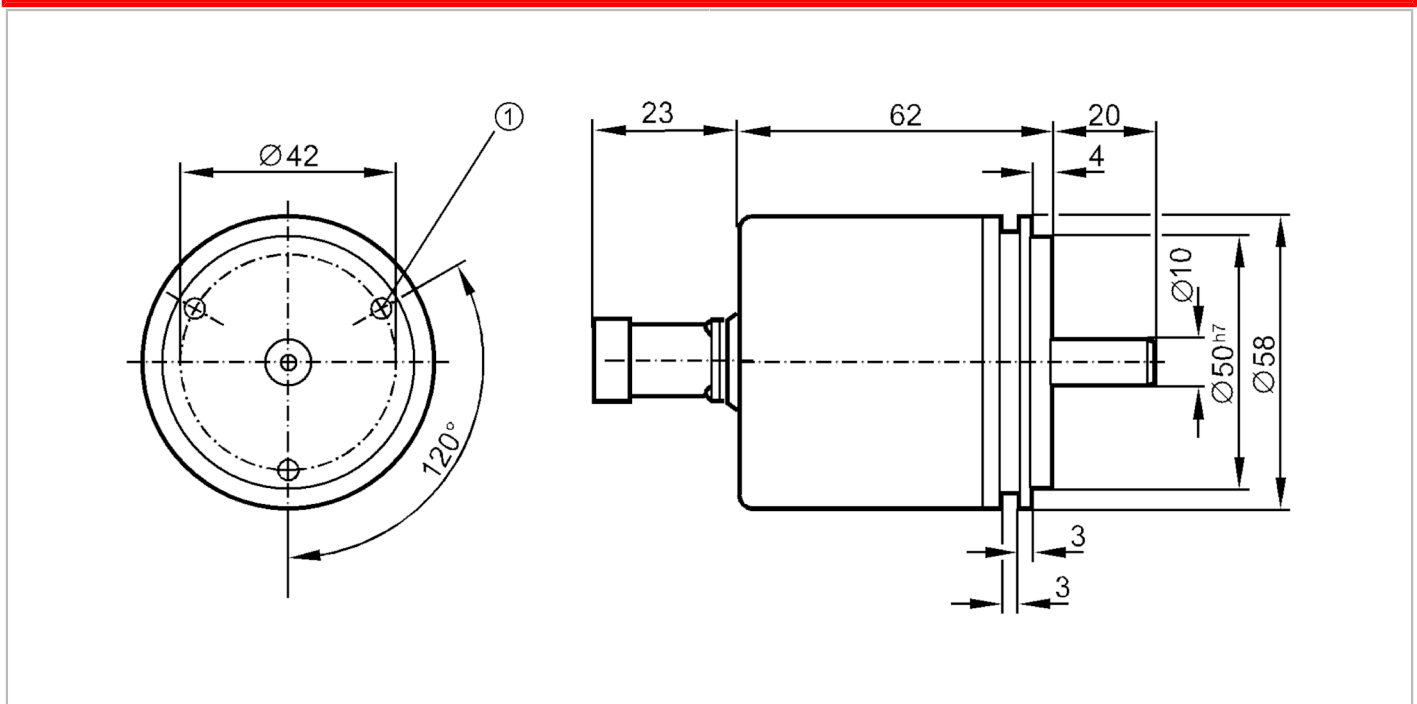
RN6045



Absolute singleturn encoder with solid shaft

RN-4096-G24/J B

Article no longer available - archive entry



Electrical data	
Operating voltage [V]	10...30 DC
Current consumption [mA]	< 150
Max. revolution electrical [U/min]	6000
Outputs	
Electrical design	HTL
Max. current load per output [mA]	20
Type of short-circuit protection	< 60 s
Code	Gray code; (increasing code values when turned clockwise (seen on the shaft))
Measuring/setting range	
Resolution	4096 resolution; 4096 steps; 12 bit
Interfaces	
Communication interface	parallel
Operating conditions	
Ambient temperature [°C]	-20...85
Storage temperature [°C]	-30...100
Max. relative air humidity [%]	98
Protection	IP 65
Tests / approvals	
Shock resistance	100 g (6 ms)
Vibration resistance	10 g (55...2000 Hz)

RN6045



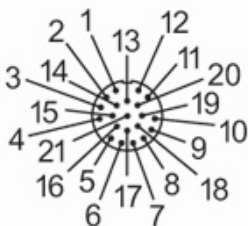
Absolute singleturn encoder with solid shaft

RN-4096-G24/J B

Mechanical data	
Dimensions [mm]	Ø 58 / L = 105
Materials	aluminium
Max. revolution, mechanical [U/min]	10000
Max. starting torque [Nm]	1
Reference temperature torque [°C]	20
Shaft design	solid shaft
Shaft diameter [mm]	10
Shaft material	steel (1.4104)
Max. shaft load axial (at the shaft end) [N]	10
Max. shaft load radial (at the shaft end) [N]	20

Electrical connection	
1	0V Un
2	Ub
3	release A inverted
4	release B inverted
5	bit 3
6	bit 4
7	bit 5
8	bit 6
9	bit 7
10	bit 8
11	bit 9
12	bit 10
13	bit 11
14	bit 12
15	0V sensor
16	Ub sensor
17	bit 10 inverted
18	bit 2
19	bit 1

Connector: 1 x M23 (ifm 1001.8), axial; Maximum cable length: 100 m



RN6045

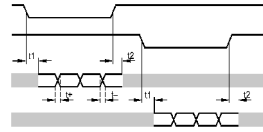


Absolute singleturn encoder with solid shaft

RN-4096-G24/J B

Diagrams and graphs

Pulse diagram



release A inverted

release B inverted

tracks 3...10

tracks 1...2

Article no longer available - archive entry