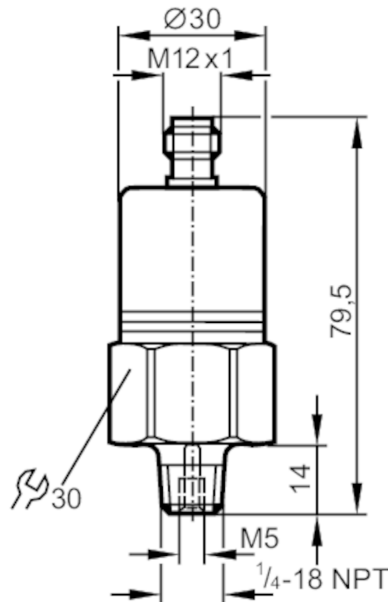


PX9112



Pressure transmitter with ceramic measuring cell

PA-100PSBN14-B-DVG/US/ IV



Product characteristics

Number of inputs and outputs	Number of analogue outputs: 1	
Measuring range	0...1000 psi	0...6900 kPa
Process connection	threaded connection 1/4" NPT external thread internal thread:M5	

Application

Special feature	Gold-plated contacts	
Application	for industrial applications	
Media	liquids and gases	
Conditionally suitable for	use in gases at pressures > 25 bar only on request	
Medium temperature [°C]	-25...90	
Min. burst pressure	9400 psi	65 MPa
Pressure rating	4350 psi	30 MPa
Type of pressure	relative pressure	

Electrical data

Operating voltage [V]	16...32 DC	
Current consumption [mA]	< 18	
Min. insulation resistance [MΩ]	100; (500 V DC)	
Protection class	III	
Reverse polarity protection	yes	

Inputs / outputs

Number of inputs and outputs	Number of analogue outputs: 1	
------------------------------	-------------------------------	--

Outputs

Total number of outputs	1	
Output signal	analogue signal	

PX9112



Pressure transmitter with ceramic measuring cell

PA-100PSBN14-B-DVG/US/ IV

Number of analogue outputs		1
Analogue voltage output [V]		0...10
Min. load resistance [Ω]		2000
Overload protection		yes

Measuring/setting range

Measuring range	0...1000 psi	0...6900 kPa
-----------------	--------------	--------------

Accuracy / deviations

Repeatability [% of the span]	< 0,15; (with temperature fluctuations < 10 K)	
Characteristics deviation [% of the span]	< $\pm 0,35$ (BFSL) / < $\pm 0,75$ (LS); (BFSL = Best Fit Straight Line; LS = limit value setting)	
Long-term stability [% of the span]	< $\pm 0,05$; (per 6 months)	
Temperature coefficient zero point [% of the span / 10 K]	0,2; (0...80 °C)	
Temperature coefficient span [% of the span / 10 K]	0,3; (0...80 °C)	

Response times

Step response time analogue output [ms]	3
---	---

Operating conditions

Ambient temperature [°C]	-25...80
Storage temperature [°C]	-40...100
Protection	IP 68; IP 69K

Tests / approvals

EMC	EN 61000-4-2 ESD	4 kV CD / 8 kV AD
	EN 61000-4-3 HF radiated	30 V/m
	EN 61000-4-4 Burst	2 kV
	EN 61000-4-6 HF conducted	10 V
	radiation of interference	according to the automotive directive 2004/104/EC / CISPR 25
	immunity	according to the automotive directive 2004/104/EC / ISO 11452-2
	HF radiated	100 V/m
pulse resistance	ISO 7637-2 / severity level 3	
Shock resistance	DIN IEC 68-2-27	50 g (11 ms)
Vibration resistance	DIN IEC 68-2-6	20 g (10...2000 Hz)
MTTF [years]	550	
Pressure Equipment Directive	Sound engineering practice; can be used for group 2 fluids; group 1 fluids on request	

Mechanical data

Weight [g]	213
Housing	cylindrical
Dimensions [mm]	$\varnothing 30$ / L = 79,5
Materials	stainless steel (316L/1.4404); FKM; PA; EPDM/X
Materials (wetted parts)	stainless steel (303/1.4305); ceramics; FKM
Min. pressure cycles	100 million

PX9112



Pressure transmitter with ceramic measuring cell

PA-100PSBN14-B-DVG/US/ IV

Process connection	threaded connection 1/4" NPT external thread internal thread:M5
Restrictor element integrated	no (can be retrofitted)

Remarks

Pack quantity	1 pcs.
---------------	--------

Electrical connection

Connector: 1 x M12; coding: A; Contacts: gold-plated



Connection

