

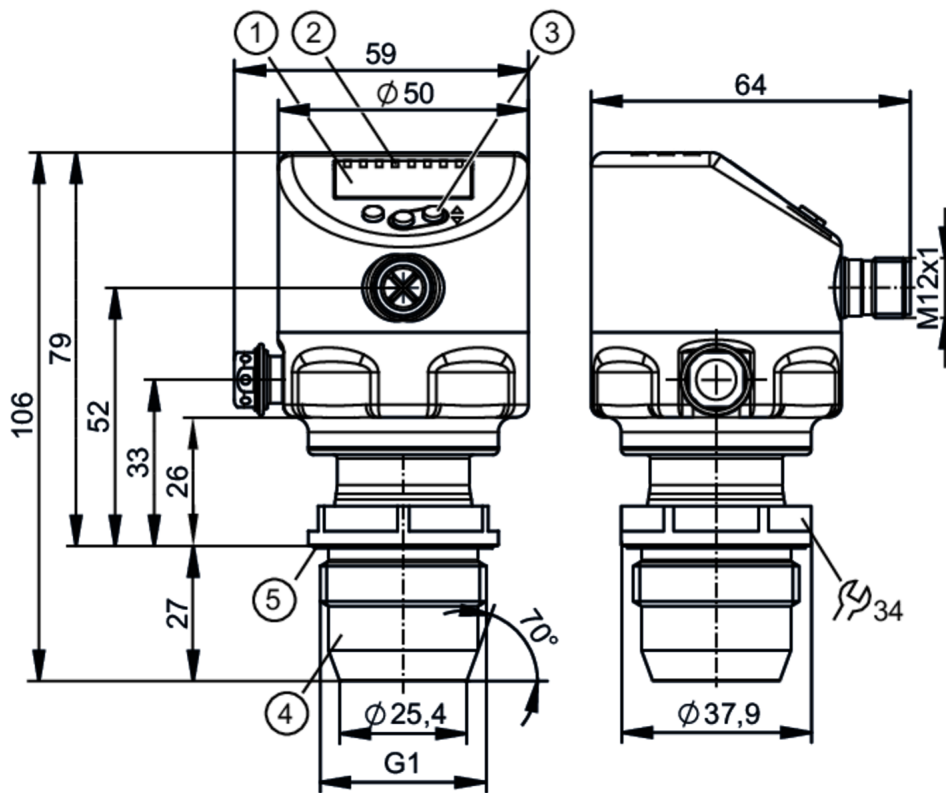
PI1817



Flush pressure sensor with display

PI-1,6-REA01-MFRKG/US/ IP

When selecting an alternative article and accessories please note that technical data may differ!



1 alphanumeric display 4-digit

2 status LEDs

3 programming button

4 G1 sealing cone external thread

Attention: The unit must only be installed in a process connection for G1 sealing cone.

The G1A sealing cone of the unit is only suited for adapters with metal end stop.

5 groove with sealing ring



ACS



CRN



LISTED

us

EC 1935/2004

EHEDG

Tested

FCM

FDA

IO-Link

Reg31

UK

CA

Product characteristics

Number of inputs and outputs

Number of digital outputs: 2; Number of analogue outputs: 1

Measuring range

-100...1600 mbar

-1.46...23.2 psi

-40...642.5 inH2O

-10...160 kPa

Process connection

threaded connection G 1 external thread sealing cone Attention: The unit must only be installed in a process connection for G1 sealing cone.; The G1A sealing cone of the unit is only suited for adapters with metal end stop.

Application

Special feature

Gold-plated contacts

Application

flush mountable for the food and beverage industry

Media

viscous media and liquids with suspended particles; liquids and gases

Medium temperature

[°C]

-25...150

Min. bursting pressure

40000 mbar

580 psi

4000 kPa

Pressure rating

15000 mbar

215 psi

1500 kPa

Vacuum resistance

[mbar]

-1000

Type of pressure

relative pressure; vacuum

No dead space

yes



Flush pressure sensor with display

PI-1,6-REA01-MFRKG/US/ IP

MAWP (for applications according to CRN)	[bar]	15
--	-------	----

Electrical data

Min. insulation resistance	[MΩ]	100; (500 V DC)
Protection class		III
Reverse polarity protection		yes
Integrated watchdog		yes

2-wire

Operating voltage	[V]	20...30 DC
Current consumption	[mA]	3.5...21.5
Power-on delay time	[s]	< 1

3-wire

Operating voltage	[V]	18...30 DC
Current consumption	[mA]	5...45; (430 bei max. Laststrom)
Power-on delay time	[s]	< 0.5

Inputs / outputs

Number of inputs and outputs	Number of digital outputs: 2; Number of analogue outputs: 1		
------------------------------	---	--	--

Outputs

Total number of outputs	2		
Output signal	switching signal; analogue signal; IO-Link		
Electrical design	PNP/NPN		
Number of digital outputs	2		
Output function	normally open / normally closed; (parameterisable)		
Number of analogue outputs	1		
Analogue current output	[mA]	4...20, invertible; (scalable)	
Short-circuit protection	yes		
Type of short-circuit protection	pulsed		
Overload protection	yes		

2-wire

Max. load	[Ω]	300
-----------	-----	-----

3-wire

Max. voltage drop switching output DC	[V]	2
Permanent current rating of switching output DC	[mA]	100
Switching frequency DC	[Hz]	125
Max. load	[Ω]	(U _b - 10 V) / 21,5 mA; 650 Ω (U _b = 24 V)

Measuring/setting range

Measuring range	-100...1600 mbar	-1.46...23.2 psi	-40...642.5 inH2O	-10...160 kPa
Set point SP	-98...1600 mbar	-1.42...23.21 psi	-39.2...642.3 inH2O	-9.8...160 kPa
Reset point rP	-100...1598 mbar	-1.45...23.17 psi	-40.1...641.4 inH2O	-10...159.8 kPa
Analogue start point	-100...1272 mbar	-1.45...18.45 psi	-40.1...510.6 inH2O	-10...127.2 kPa
Analogue end point	228...1600 mbar	3.31...23.21 psi	91.6...642.3 inH2O	22.8...160 kPa



Flush pressure sensor with display

PI-1,6-REA01-MFRKG/US/ IP

Min. difference between SP and rP	3 mbar	0.04 psi	1 inH2O	0.3 kPa
In steps of	1 mbar	0.01 psi	0.1 inH2O	0.1 kPa
Factory setting	SP1 = 400 mbar		rP1 = 368 mbar	
	SP2 = 1200 mbar		rP2 = 1168 mbar	
	ASP = 0.00 mbar		AEP = 1600 mbar	
	dAP = 2.00 s		dAA = 2.00 s	

Temperature monitoring		
Measuring range	-25...150 °C	-13...302 °F

Accuracy / deviations

Switch point accuracy [% of the span]	< ± 0,2; (DIN EN IEC 62828-1; Turn down 1:1)	
Repeatability [% of the span]	< ± 0,1; (with temperature fluctuations < 10 K; Turn down 1:1)	
Characteristics deviation [% of the span]	< ± 0,2; (DIN IEC EN 62828-1 incl. zero point and span error, non-linearity, hysteresis; Turn down 1:1)	
Linearity deviation [% of the span]	< ± 0,15; (Turn down 1:1)	
Hysteresis deviation [% of the span]	< ± 0,15; (Turn down 1:1)	
Long-term stability [% of the span]	< ± 0,1; (Turn down 1:1; per year)	
Total deviation over temperature range	Temperature range	total deviation
	-25...15 °C	Characteristics deviation ± 0,05 % of the span / 10 K
	15...80 °C	Characteristics deviation
	80...150 °C	Characteristics deviation ± 0,1 % of the span / 10 K
Notes on the accuracy / deviation	for further details see section Diagrams and graphs	

Temperature monitoring		
Accuracy [K]	± 2,5+ (0,08 x (Umgebungstemperatur - Mediumtemperatur))	
Repeatability [K]	± 0,2	
Resolution [K]	0.2	

Response times

Damping process value dAP [s]	0...99.99
Damping for the analogue output dAA [s]	0...99.99

2-wire		
Step response time analogue output [ms]	30	
3-wire		
Min. response time of switching output (dAP) [ms]	3	
Step response time analogue output [ms]	7	

Temperature monitoring		
Dynamic response T05 / T09 [s]	< 35 / < 135; (DIN EN 60751 water ; > 0,9 m/s)	



Flush pressure sensor with display

PI-1,6-REA01-MFRKG/US/ IP

Interfaces		
Communication interface	IO-Link	
Transmission type	COM2 (38,4 kBaud)	
IO-Link revision	1.1	
SDCI standard	IEC 61131-9	
Profiles	Identification and Diagnosis (0x4000), Measurement Data Channel (0x800A)	
SIO mode	yes	
Required master port type	A	
Min. process cycle time [ms]	5.6	
IO-Link resolution pressure [mbar]	0.05	
IO-Link resolution temperature [K]	0.2	
IO-Link process data (cyclical)	function	bit length
	pressure	32
	temperature	32
	device status	4
	binary switching information	2
IO-Link functions (acyclical)	application specific tag; internal temperature; operating hours counter; switching cycles counter; Pressure peak counter	
Supported DeviceIDs	Type of operation	DeviceID
	default	1149
Operating conditions		
Ambient temperature [°C]	-25...80	
Storage temperature [°C]	-40...100	
Protection	IP 67; IP 68; IP 69K	
Tests / approvals		
EMC	DIN EN 61326-1	
Shock resistance	DIN EN 60068-2-27	50 g (11 ms)
Vibration resistance	DIN EN 60068-2-6	20 g (10...2000 Hz)
MTTF [years]	214	
Note on approval	factory certificate available as download at www.factory-certificate.ifm	
UL approval	UL Approval no.	J049
	File number UL	E174189
Mechanical data		
Weight [g]	385.5	
Materials	stainless steel (316L/1.4404); FKM; PTFE; PBT; PEI; PFA	
Materials (wetted parts)	ceramics (99.9 % Al ₂ O ₃); stainless steel (316L/1.4435); surface characteristics: Ra < 0,4 / Rz 4; PTFE	
Min. pressure cycles	100 million	
Tightening torque [Nm]	20	
Process connection	threaded connection G 1 external thread sealing cone Attention: The unit must only be installed in a process connection for G1 sealing cone.; The G1A sealing cone of the unit is only suited for adapters with metal end stop.	

PI1817



Flush pressure sensor with display

PI-1,6-REA01-MFRKG/US/ IP

Displays / operating elements		
Display	Display unit	LED, green
	switching status	LED, yellow
	function display	alphanumeric display, 4-digit
	measured values	alphanumeric display, 4-digit
Display unit	mbar; psi; kPa; inH2O	

Remarks	
Pack quantity	1 pcs.

Electrical connection

Connector: 1 x M12; coding: A; Contacts: gold-plated

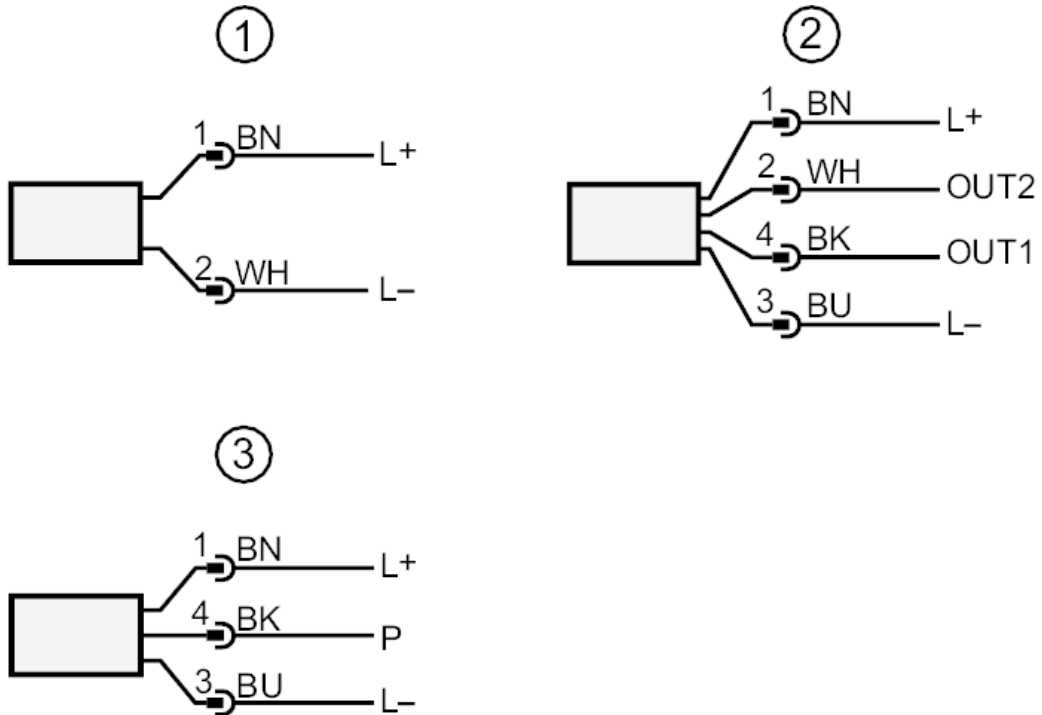




Flush pressure sensor with display

PI-1,6-REA01-MFRKG/US/ IP

Connection



- 1 connection for 2-wire operation
- 2 connection for 3-wire operation
- OUT1 switching output / IO-Link
- OUT2 switching output / analogue output
- 3 connection for IO-Link parameter setting (P = communication via IO-Link)
- colours to DIN EN 60947-5-2
- Core colours
- BK = black
- BN = brown
- BU = blue
- WH = white

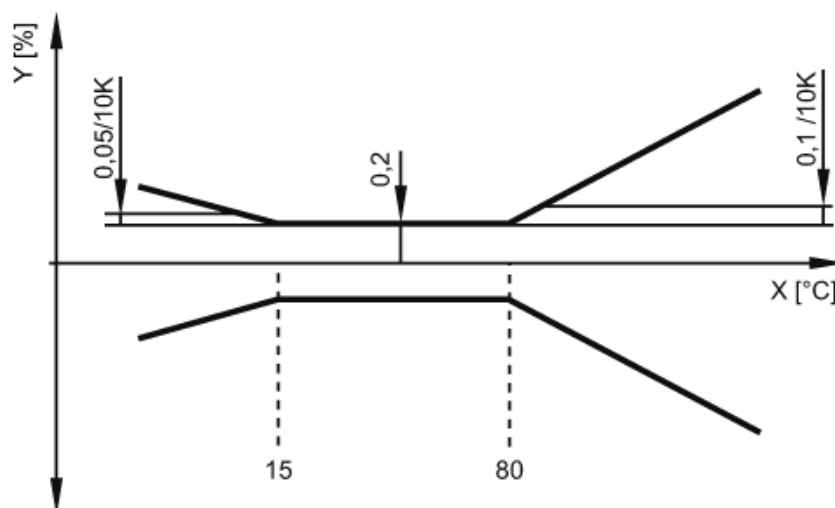


Flush pressure sensor with display

PI-1,6-REA01-MFRKG/US/ IP

Diagrams and graphs

ambient temperature influence on the accuracy



X temperature
Y total deviation