

# PC3562



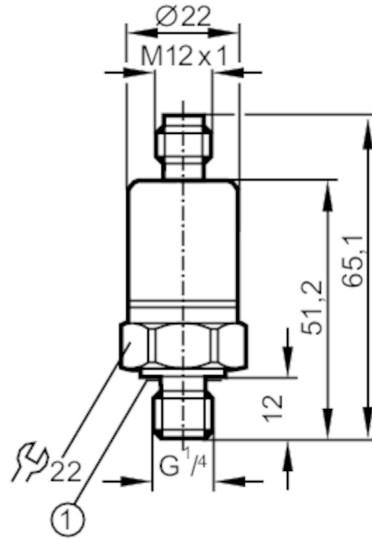
## Pressure transmitter

PT-060-SBG14-A-ZVG/US/ IW

Article no longer available - archive entry

Alternative articles: PT5423

When selecting an alternative article and accessories please note that technical data may differ!



- 1 Sealing  
Tightening torque 25 Nm



### Product characteristics

Output signal	analogue signal
Measuring range [bar]	0...60
Process connection	threaded connection G 1/4 external thread

### Application

Application	for industrial applications
Media	liquids and gases
Medium temperature [°C]	-25...90
Min. bursting pressure [bar]	1000
Pressure rating [bar]	200
Type of pressure	relative pressure

### Electrical data

Operating voltage [V]	8.5...36 DC
Min. insulation resistance [MΩ]	100; (500 V DC)
Protection class	III
Reverse polarity protection	yes

### Inputs / outputs

Number of inputs and outputs	Number of analogue outputs: 1
------------------------------	-------------------------------



## Pressure transmitter

PT-060-SBG14-A-ZVG/US/ IW

Outputs		
Total number of outputs		1
Output signal		analogue signal
Number of analogue outputs		1
Analogue current output	[mA]	4...20
Max. load	[Ω]	775; (U <sub>b</sub> = 24 V; (U <sub>b</sub> - 8,5 V) / 20 mA)
Measuring/setting range		
Measuring range	[bar]	0...60
Accuracy / deviations		
Repeatability	[% of the span]	< ± 0,15; (with temperature fluctuations < 10 K)
Characteristics deviation	[% of the span]	< ± 2,0; (incl. drift when overtightened, zero point and span error)
Linearity deviation	[% of the span]	< ± 0,25 (BFSL) / < ± 0,5 (LS)
Hysteresis deviation	[% of the span]	< ± 0,2
Long-term stability	[% of the span]	< ± 0,05; (per 6 months)
Temperature coefficient zero point	[% of the span / 10 K]	< ± 0,15; (-25...90 °C)
Temperature coefficient span	[% of the span / 10 K]	< ± 0,2; (-25...90 °C)
Response times		
Step response time analogue output	[ms]	3
Operating conditions		
Ambient temperature	[°C]	-25...90
Storage temperature	[°C]	-40...100
Protection		IP 67; IP 69K
Tests / approvals		
EMC	EN 61000-4-2 ESD	4 kV CD / 8 kV AD
	EN 61000-4-3 HF radiated	10 V/m
	EN 61000-4-4 Burst	4 kV coupling clamp
	EN 61000-4-5 Surge	1 kV signal for DC units
	EN 61000-4-6 HF conducted	10 V
Shock resistance	DIN IEC 68-2-27	50 g (11 ms)
Vibration resistance	DIN IEC 68-2-6	20 g (10...2000 Hz)
Mechanical data		
Weight	[g]	73.4
Materials		stainless steel (1.4404 / 316L); PA
Materials (wetted parts)		stainless steel (1.4404 / 316L); Sealing: FKM
Min. pressure cycles		50 million
Process connection		threaded connection G 1/4 external thread

# PC3562



## Pressure transmitter

PT-060-SBG14-A-ZVG/US/ IW

### Remarks

Remarks

BFSL = Best Fit Straight Line

LS = limit value setting

Pack quantity

1 pcs.

### Electrical connection

Connector: 1 x M12



### Connection

