



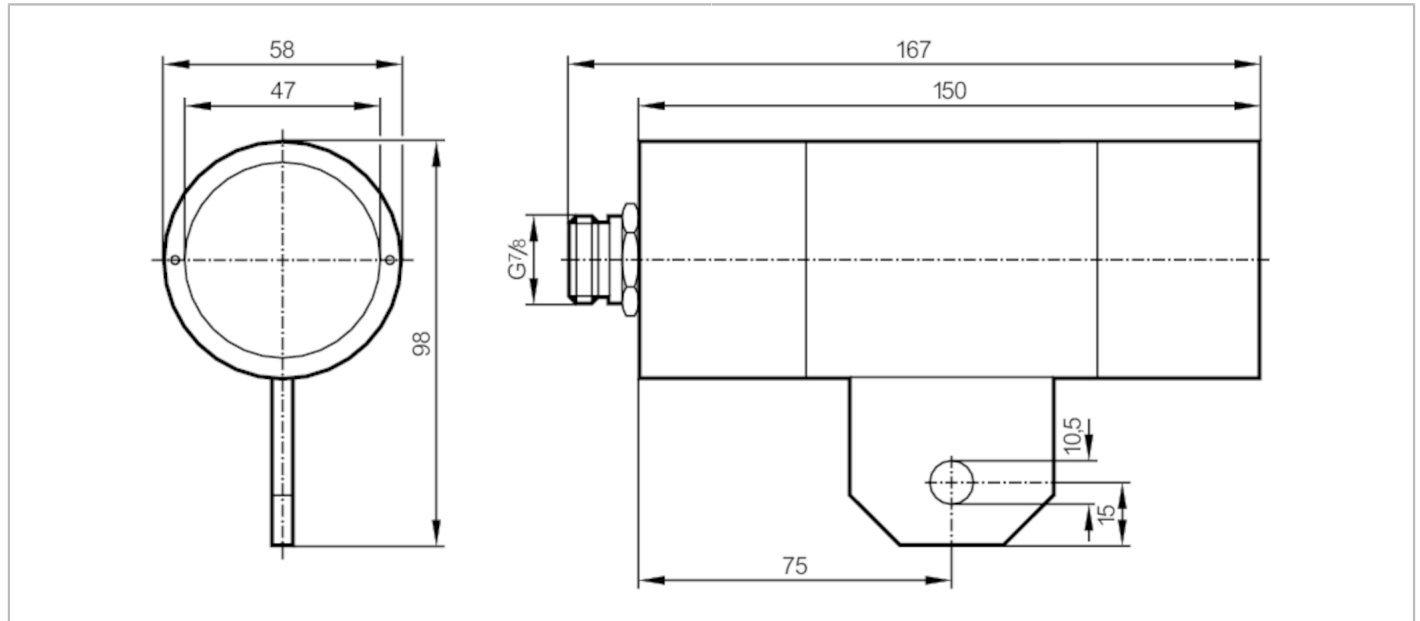
Infrared temperature sensor

OWS-3520-ABOA

Article no longer available - archive entry

Alternative articles: TW7001 + E35065

When selecting an alternative article and accessories please note that technical data may differ!



Product characteristics

Housing cylindrical

Electrical data

Operating voltage [V] 20...250 AC/DC

Reverse polarity protection no

Outputs

Max. voltage drop switching output DC [V] 10.5

Max. voltage drop switching output AC [V] 10.5

Minimum load current [mA] 15

Max. leakage current [mA] 7

Permanent current rating of switching output AC [mA] 200; (250 (...50 °C))

Permanent current rating of switching output DC [mA] 50

Short-time current rating of switching output [mA] 1500; (10 ms / 0,5 Hz)

Switching frequency AC [Hz] 20

Switching frequency DC [Hz] 25

Short-circuit proof no

Overload protection no

Detection zone

Detection range hysteresis [%] 1...15

OW0004



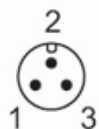
Infrared temperature sensor

OWS-3520-ABOA

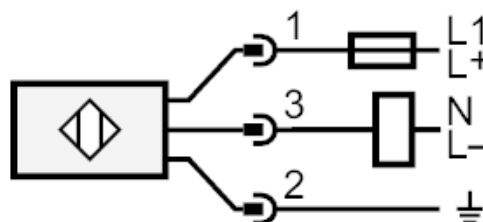
Operating conditions		
Ambient temperature	[°C]	-20...60
Protection		IP 65
Tests / approvals		
EMC	EN 60947-5-2	
	EN 55011	class B
Mechanical data		
Housing		cylindrical
Dimensions	[mm]	Ø 58 / L = 150
Materials		brass white bronze coated
Lens material		glass
Displays / operating elements		
Display	switching status	1 x LED, yellow
Remarks		
Remarks	Recommendation: Check the safe functioning of the unit after a short circuit.	
Pack quantity	1 pcs.	

Electrical connection

Connector: 1 x 7/8"



Connection



Note : miniature fuse to IEC60127-2 sheet 1 ≤ 2 A fast acting