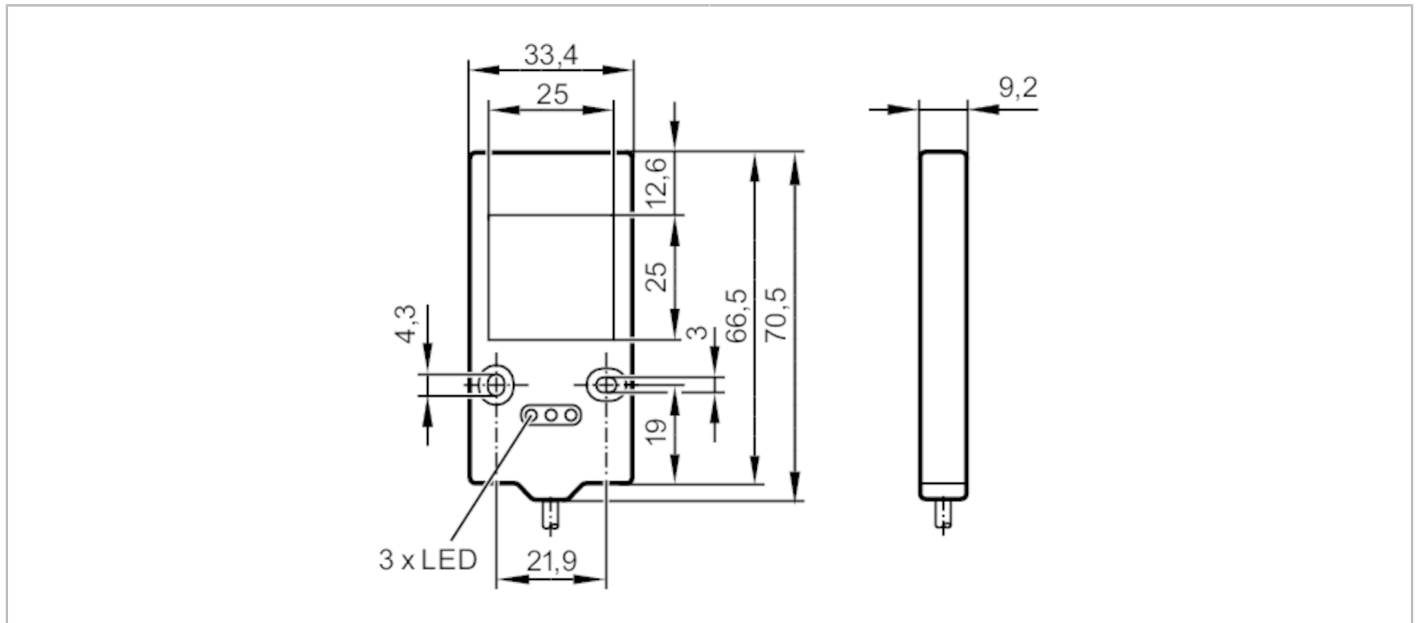


# O2D900



## External illumination

BACKLIGHT 25X25 RED



Application		
Illuminated field		25 x 25
Type of operation		high light intensity (max. pulse length: 50 ms; max. mark-to-space ratio: 1/10); normal light intensity (permanent operation possible)
Electrical data		
Operating voltage tolerance	[%]	-10...10
Operating voltage	[V]	24 DC
Current consumption	[mA]	operating mode "permanent operation": 50; operating mode "high light intensity": 25
Protection class		III
Reverse polarity protection		yes
Type of light		red light
Wave length	[nm]	660
Inputs		
Trigger		24 V PNP (IEC 61131-1)
Outputs		
Overload protection		yes
Operating conditions		
Ambient temperature	[°C]	0...50
Protection		IP 65
Overheat protection		true
Tests / approvals		
MTTF	[years]	509

# O2D900



## External illumination

BACKLIGHT 25X25 RED

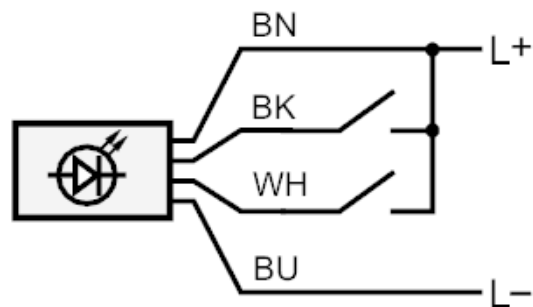
Mechanical data	
Weight [g]	94.5
Dimensions [mm]	66.5 x 33.4 x 9.2
Materials	aluminium
Lens material	PMMA

Displays / operating elements		
Display	illumination status	1 x LED, yellow
	operation	1 x LED, green
	excess temperature / overload	1 x LED, red

Remarks	
Pack quantity	1 pcs.

**Electrical connection**  
Cable: 2 m, PUR; 4 x 0.14 mm<sup>2</sup>

### Connection



- black trigger
  - white operating mode "high light intensity"
- Core colours :
- BK = black
  - BN = brown
  - BU = blue
  - WH = white