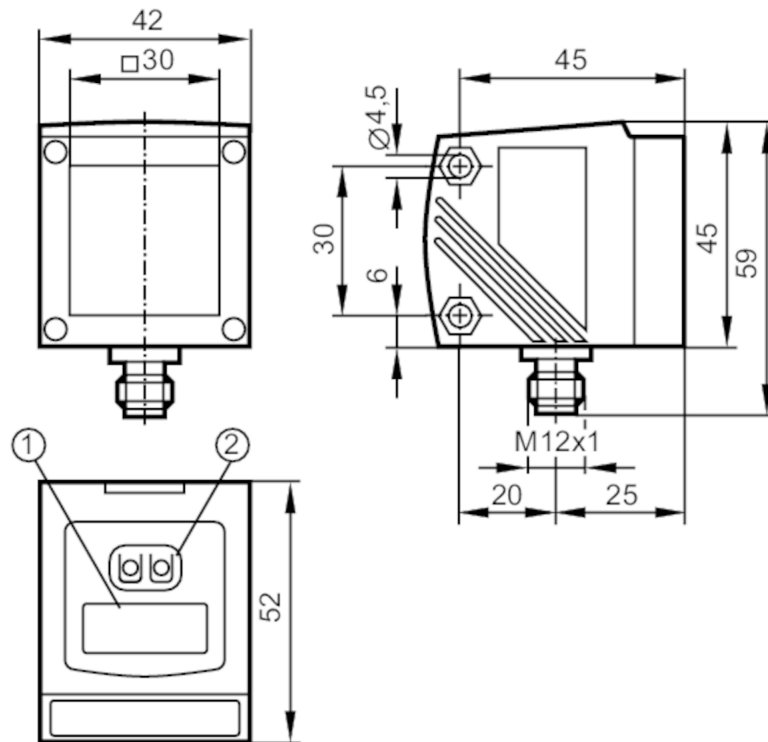


# O1D101



## Photoelectric distance sensor

O1DLFPKG/IO-LINK



- 1 alphanumeric display 4-digit  
2 programming buttons



### Product characteristics

Electrical design	PNP
Output function	normally open / normally closed; (programmable)
Dimensions [mm]	59 x 42 x 52

### Application

Special feature	Background suppression
-----------------	------------------------

### Electrical data

Operating voltage [V]	10...30 DC
Current consumption [mA]	< 150
Protection class	III
Reverse polarity protection	yes
Typ. lifetime [h]	50000

### Inputs / outputs

Number of inputs and outputs	Number of digital outputs: 1
------------------------------	------------------------------

# O1D101



## Photoelectric distance sensor

O1DLFPKG/IO-LINK

Outputs	
Total number of outputs	1
Electrical design	PNP
Number of digital outputs	1
Output function	normally open / normally closed; (programmable)
Max. current load per output [mA]	200
Short-circuit protection	yes
Type of short-circuit protection	pulsed
Overload protection	yes
Detection zone	
Max. light spot width [mm]	15
Max. light spot height [mm]	15
Light spot dimensions refer to	10 m
Background suppression available	yes
Background suppression [m]	10...100
Measuring/setting range	
Measuring range [m]	0.2...10; (white paper 200 x 200 mm 90% remission)
Sampling rate [Hz]	5
Interfaces	
Transmission type	COM2 (38.4 kBaud)
IO-Link revision	1.1
SDCI standard	IEC 61131-9
IO-Link device ID	807 d / 00 03 27h
Profiles	Smart Sensor: Sensor Identification; Binary Data Channel; Process Value; Sensor Diagnosis
SIO mode	yes
Required master port type	A
Process data analogue	2
Process data binary	1
Min. process cycle time [ms]	6
Operating conditions	
Ambient temperature [°C]	-10...60
Protection	IP 67

# O1D101



## Photoelectric distance sensor

O1DLFPKG/IO-LINK

Tests / approvals		
Laser protection class	2	
Notes on laser protection	Caution:	laser light
	Power:	<= 4,0 mW
	Wave length:	650 nm
	pulse:	1,3 ns
	Do not stare into beam.	
	Avoid exposure to the laser light.	
	laser class:	2
		EN / IEC60825-1:2007
		EN / IEC60825-1:2014
		Complies with 21 CFR 1040 except for deviations pursuant to Laser Notice No. 50, dated June 2007.
MTTF [years]	106	

Mechanical data	
Weight [g]	282.5
Dimensions [mm]	59 x 42 x 52
Materials	housing: diecast zinc; front lens: glass; LED window: PC

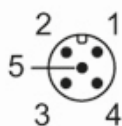
Displays / operating elements		
Display	switching status	LED, yellow
	operation	LED, green
	distance value, programming	alphanumeric display, 4-digit

Accessories	
Accessories (optional)	Protective cover, E21133

Remarks	
Remarks	operating voltage "supply class 2" according to cULus
Pack quantity	1 pcs.

### Electrical connection

Connector: 1 x M12



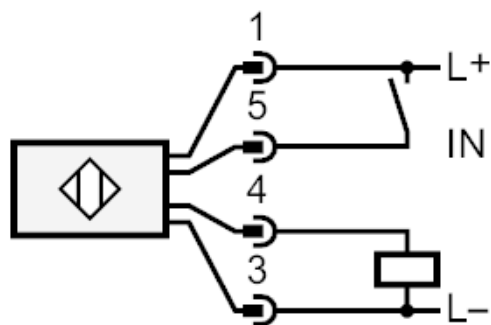
# O1D101



## Photoelectric distance sensor

O1DLFPKG/IO-LINK

### Connection



4 OUT1 switching output or IO-Link

5 Laser On/ Off