

MGS201



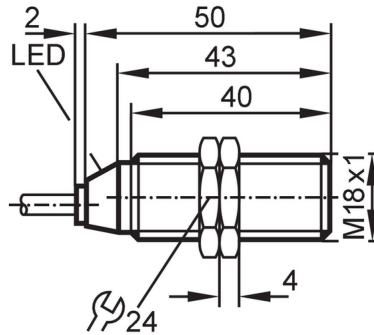
Magnetic sensor

MGB3070-BPKG/M/ZH

Article no longer available - archive entry

Alternative articles: MGS212

When selecting an alternative article and accessories please note that technical data may differ!



Product characteristics

Electrical design		PNP
Output function		normally open
Sensing range	[mm]	70; (referred to magnet M 4.0)
Housing		Threaded type
Dimensions	[mm]	M18 x 1 / L = 50

Electrical data

Operating voltage	[V]	10...30 DC; (cULus - Class 2 source required)
Current consumption	[mA]	< 10
Protection class		II
Reverse polarity protection		yes

Outputs

Electrical design		PNP
Output function		normally open
Max. voltage drop switching output DC	[V]	2.5
Permanent current rating of switching output DC	[mA]	200
Switching frequency DC	[Hz]	5000
Short-circuit protection		yes
Overload protection		yes

Monitoring range

Sensing range	[mm]	70; (referred to magnet M 4.0)
Magnetic sensitivity	[mT]	0.8

Accuracy / deviations

Hysteresis	[% of Sr]	1...10
------------	-----------	--------

Operating conditions

Ambient temperature	[°C]	-25...75
Protection		IP 67

MGS201



Magnetic sensor

MGB3070-BPKG/M/ZH

Tests / approvals		
EMC	EN 61000-4-2 ESD	4 kV CD / 8 kV AD
	EN 61000-4-3 HF radiated	10 V/m
	EN 61000-4-4 Burst	2 kV
	EN 61000-4-5 Surge	0,5 kV line to line, Ri: 2 Ohm
	EN 61000-4-6 HF conducted	10 V
	EN 55011	class B
MTTF	[years]	2630

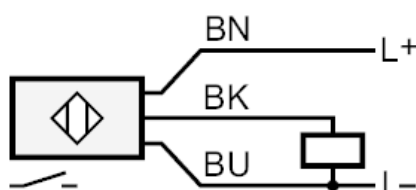
Mechanical data		
Weight	[g]	130
Housing		Threaded type
Dimensions	[mm]	M18 x 1 / L = 50
Thread designation		M18 x 1
Material		housing: stainless steel; sensing face: PBT orange; lock nuts: brass

Displays / operating elements		
Display	Switching status	1 x LED, yellow

Accessories		
Items supplied		lock nuts: 2

Remarks		
Pack quantity		1 pcs.

Electrical connection		
Cable: 2 m, PUR; 3 x 0.34 mm ²		
Connection		



Core colors :
BK = black
BN = brown
BU = blue