

# MGS200



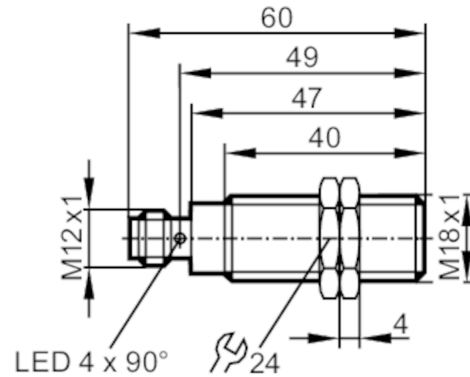
## Magnetic sensor

MGK3070-BPKG/M/US-104-DPS

Article no longer available - archive entry

Alternative articles: MGS204

When selecting an alternative article and accessories please note that technical data may differ!



### Product characteristics

Electrical design	PNP
Output function	normally open
Sensing range [mm]	70; (referred to magnet M 4.0)
Housing	threaded type
Dimensions [mm]	M18 x 1 / L = 60

### Application

Special feature	Gold-plated contacts
-----------------	----------------------

### Electrical data

Operating voltage [V]	10...30 DC
Current consumption [mA]	< 10
Protection class	II
Reverse polarity protection	yes

### Outputs


Electrical design	PNP
Output function	normally open
Max. voltage drop switching output DC [V]	2.5
Permanent current rating of switching output DC [mA]	200
Switching frequency DC [Hz]	5000
Short-circuit protection	yes
Type of short-circuit protection	pulsed
Overload protection	yes

# MGS200



## Magnetic sensor

MGK3070-BPKG/M/US-104-DPS

Detection zone		
Sensing range	[mm]	70; (referred to magnet M 4.0)
Response sensitivity	[mT]	0.8
Accuracy / deviations		
Hysteresis	[% of Sr]	1...10
Operating conditions		
Ambient temperature	[°C]	-25...75
Protection		IP 67
Tests / approvals		
EMC	EN 61000-4-2 ESD	4 kV CD / 8 kV AD
	EN 61000-4-3 HF radiated	10 V/m
	EN 61000-4-4 Burst	2 kV
	EN 61000-4-5 Surge	0,5 kV line to line, Ri: 2 Ohm
	EN 61000-4-6 HF conducted	10 V
	EN 55011	class B
MTTF	[years]	2444
Mechanical data		
Weight	[g]	53.8
Housing		threaded type
Dimensions	[mm]	M18 x 1 / L = 60
Thread designation		M18 x 1
Materials		housing: stainless steel; sensing face: PBT orange
Displays / operating elements		
Display	switching status	1 x LED, yellow
Accessories		
Items supplied		lock nuts: 2
Remarks		
Pack quantity		1 pcs.
Electrical connection - plug		
Connector: 1 x M12; Contacts: gold-plated		
		

# MGS200



## Magnetic sensor

MGK3070-BPKG/M/US-104-DPS

### Connection

