

# LR7024

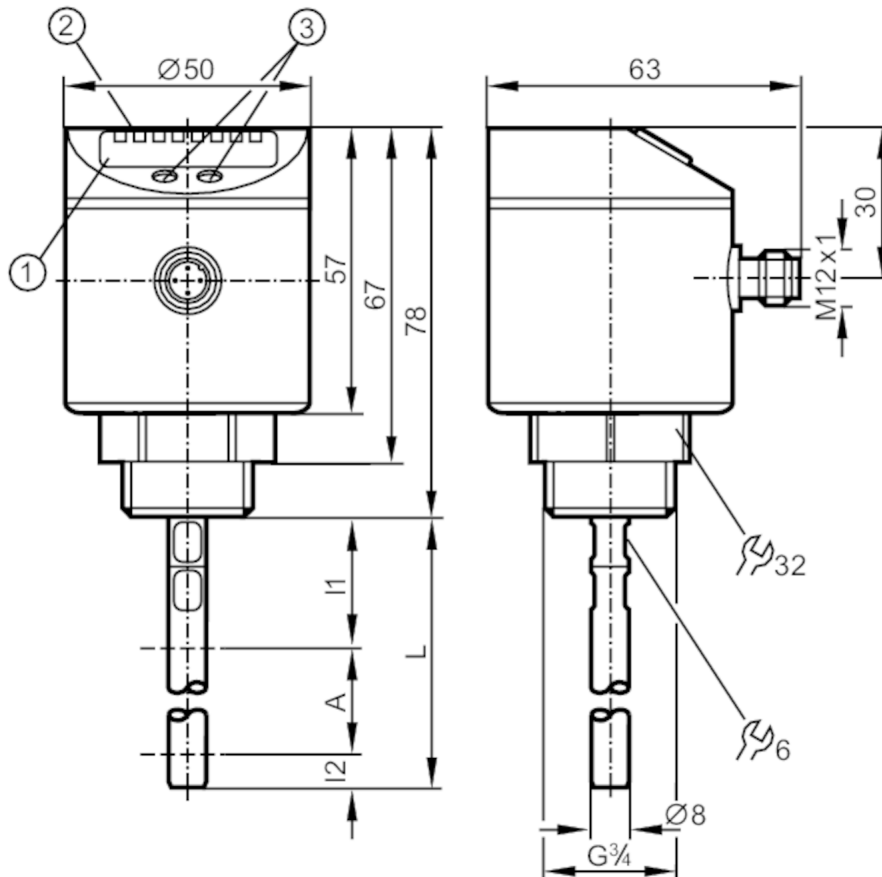


## Continuous level sensor (guided wave radar)

LR0700B-BR34AQPKG/US

Article no longer available - archive entry

replaced by: LR7000 + E43205



- 1 alphanumeric display 4-digit
- 2 status LEDs
- 3 programming buttons



### Product characteristics

|                              |                              |
|------------------------------|------------------------------|
| Number of inputs and outputs | Number of digital outputs: 2 |
| Probe length L [mm]          | 700                          |
| Process connection           | G 3/4 external thread        |

### Application

|                                   |   |
|-----------------------------------|---|
| Media                             | hydrous coolants; water; media similar to water         |
| Dielectric constant of the medium | > 20  |
| Recommended media                 | hydrous coolants; water; media similar to water         |
| Cannot be used for                | oils; greases; granulates; bulk material; acids; alkali |
| Medium temperature [°C]           | 0...80  |
| Tank pressure [bar]               | 0.5   |

# LR7024



## Continuous level sensor (guided wave radar)

LR0700B-BR34AQPKG/US

| Electrical data                                 |                        |  |
|---|------------------------|--|
| Operating voltage                               | [V]                    | 18...30 DC   |
| Current consumption                             | [mA]                   | < 80   |
| Protection class                                |                        | III  |
| Reverse polarity protection                     |                        | yes  |
| Power-on delay time                             | [s]                    | 3  |
| Inputs / outputs                                |                        |  |
| Number of inputs and outputs                    |                        | Number of digital outputs: 2                       |
| Outputs   |                        |  |
| Total number of outputs                         |                        | 2  |
| Output signal                                   |                        | switching signal                                   |
| Electrical design                               |                        | PNP  |
| Number of digital outputs                       |                        | 2  |
| Output function                                 |                        | normally open / normally closed; (parameterisable) |
| Max. voltage drop switching output DC           | [V]                    | 2.5  |
| Permanent current rating of switching output DC | [mA]                   | 200  |
| Short-circuit protection                        |                        | yes  |
| Type of short-circuit protection                |                        | thermal, pulsed                                    |
| Overload protection                             |                        | yes  |
| Measuring/setting range                         |                        |  |
| Probe length L                                  | [mm]                   | 700  |
| Active range A                                  | [mm]                   | 650  |
| Inactive range I1 / I2                          | [mm]                   | 40/10  |
| Setting range                                   |                        |  |
| Set point SP                                    | [mm]                   | 15...660   |
| Reset point rP                                  | [mm]                   | 10...650   |
| In steps of                                     | [mm]                   | 5  |
| Hysteresis                                      | [mm]                   | 5  |
| Accuracy / deviations                           |                        |  |
| Measuring error                                 |                        | ± 5  |
|   | [% of the final value] |  |
| Repeatability                                   |                        | ± 2  |
| Operating conditions                            |                        |  |
| Ambient temperature                             | [°C]                   | 0...60   |
| Storage temperature                             | [°C]                   | -25...80   |
| Protection                                      |                        | IP 67  |

# LR7024



## Continuous level sensor (guided wave radar)

LR0700B-BR34AQPKG/US

### Tests / approvals

|                      |                           |                          |
|----------------------|---------------------------|--------------------------|
| EMC                  | EN 61000-4-2 ESD          | 4 kV CD / 8 kV AD        |
|                      | EN 61000-4-3 HF radiated  | 10 V/m                   |
|                      | EN 61000-4-4 Burst        | 2 kV                     |
|                      | EN 61000-4-6 HF conducted | 10 V                     |
| Shock resistance     | DIN EN 60068-2-29         | 12 g (11 ms)             |
| Vibration resistance |                           | 2.5 g (RMS, 1...1000 Hz) |

### Mechanical data

|                          |   |
|--------------------------|---|
| Materials                | stainless steel (1.4301 / 304); FKM; NBR; PBT; PC; PEI; TPE-V; PTFE |
| Materials (wetted parts) | stainless steel (1.4305 / 303); PTFE; NBR                           |
| Process connection       | G 3/4 external thread   |

### Displays / operating elements

|         |                   |                               |
|---------|-------------------|-------------------------------|
| Display | Display unit      | 2 x LED, green                |
|         | switching status  | 2 x LED, yellow               |
|         | level             | alphanumeric display, 4-digit |
|         | parameter setting | alphanumeric display, 4-digit |

### Accessories

|                        |         |
|------------------------|---------|
| Accessories (supplied) | Sealing |
|------------------------|---------|

### Remarks

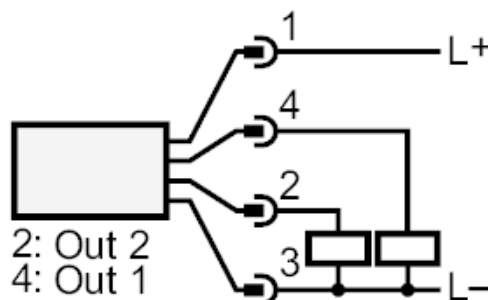
|               |        |
|---------------|--------|
| Pack quantity | 1 pcs. |
|---------------|--------|

### Electrical connection

Connector: 1 x M12; Contacts: gold-plated



### Connection



Article no longer available - archive entry

# LR7024

Continuous level sensor (guided wave radar)

LR0700B-BR34AQPKG/US



replaced by: LR7000 + E43205