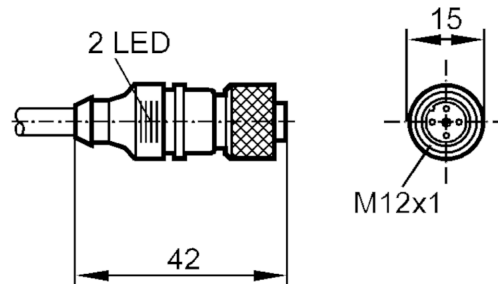


L33520



Connecting cable with socket

ADOGH043MSS0005H04



Application

Special feature	Halogen-free
-----------------	--------------

Electrical data

Operating voltage	[V]	10...30 DC
-------------------	-----	------------

Operating conditions

Ambient temperature	[°C]	-25...90
Protection		IP 67

Mechanical data

Weight	[g]	361.966
Dimensions	[mm]	15 x 15 x 42
Materials		TPU transparent
Moulded-body material		TPU, transparent
Material nut		brass, nickel-plated

Displays / operating elements

Display	switching status	1 x LED, yellow
	operation	1 x LED, green

Remarks

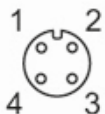
Pack quantity	1 pcs.
---------------	--------

Electrical connection

Cable: 5 m, PUR, Halogen-free, black, Ø 4.8 mm; 4 x 0.34 mm² (42 x Ø 0.1 mm)

Electrical connection - socket

Connector: 1 x M12, straight; Moulded body: TPU, transparent; Locking: brass, nickel-plated; Tightening torque: 0.5 Nm



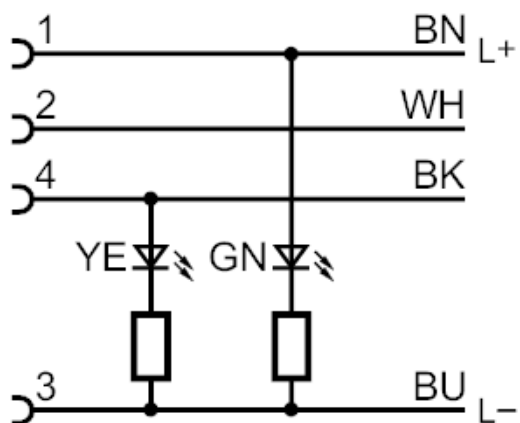
L33520



Connecting cable with socket

ADOGH043MSS0005H04

Connection



Core colours :

BN =	brown
BK =	black
BU =	blue
WH =	white