

# KI5206



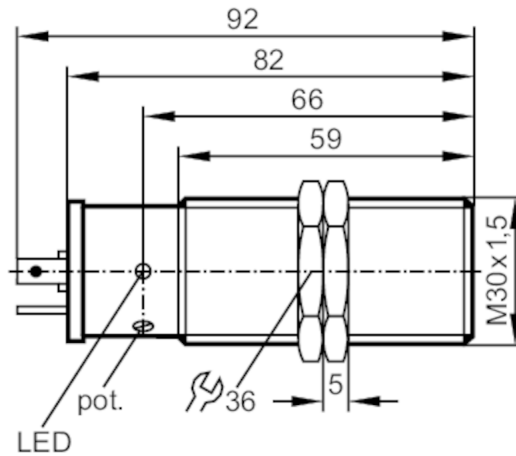
## Capacitive sensor

KI-3015-FPKG/NI/SS-000-K

Article no longer available - archive entry

Alternative articles: KI6000

When selecting an alternative article and accessories please note that technical data may differ!



### Product characteristics

Electrical design	PNP
Output function	normally open / normally closed; (selectable)
Sensing range [mm]	3...15
Housing	threaded type
Dimensions [mm]	M30 x 1.5 / L = 92

### Electrical data

Operating voltage [V]	10...36 DC
Current consumption [mA]	13; (24 V)
Protection class	III
Reverse polarity protection	yes

### Outputs

Electrical design	PNP
Output function	normally open / normally closed; (selectable)
Max. voltage drop switching output DC [V]	2.5
Permanent current rating of switching output DC [mA]	250
Switching frequency DC [Hz]	40
Short-circuit proof	yes
Overload protection	yes

# KI5206



## Capacitive sensor

KI-3015-FPKG/NI/SS-000-K

Detection zone		
Sensing range [mm]		3...15
Sensing range adjustable		yes
Factory setting sensing range [mm]		15

Operating conditions		
Ambient temperature [°C]		-25...70
Protection		IP 65
Increased immunity		yes; (increased immunity to conducted radio frequency interference)

Tests / approvals		
EMC	EN 60947-5-2	
MTTF [years]		769

Mechanical data		
Weight [g]		102.6
Housing		threaded type
Mounting		non-flush mountable
Dimensions [mm]		M30 x 1.5 / L = 92
Thread designation		M30 x 1.5
Materials		PBT

Displays / operating elements		
Display	switching status	1 x LED, yellow

Accessories		
Items supplied		lock nuts: 2 screwdriver: 1

Remarks		
Pack quantity		1 pcs.

### Electrical connection - plug

Connector: 1 x valve plug type A DIN (DIN EN 175301-803)



# KI5206

## Capacitive sensor

KI-3015-FPKG/NI/SS-000-K



### Connection

