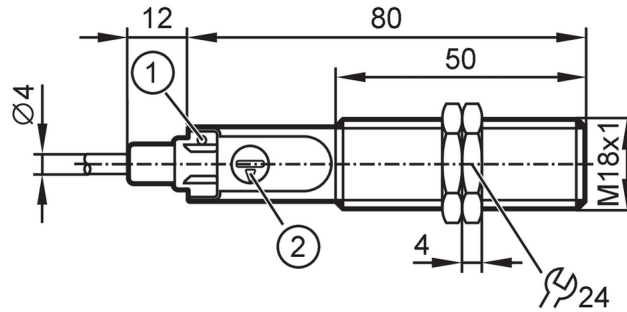


# KG5300



## Capacitive sensor

KG-3150NANKG/SL/1P/IO



1 LED yellow switching status



### Product characteristics

Electrical design	NPN
Output function	normally open
Sensing range [mm]	0.5...30
Communication interface	IO-Link
Housing	threaded type
Dimensions [mm]	M18 x 1 / L = 92.5

### Application

Medium temperature [°C]	-25...110
-------------------------	-----------

### Electrical data

Operating voltage [V]	10...30 DC
Current consumption [mA]	< 22
Protection class	III
Reverse polarity protection	yes

### Outputs

Electrical design	NPN
Output function	normally open
Max. voltage drop switching output DC [V]	2.5
Permanent current rating of switching output DC [mA]	200
Switching frequency DC [Hz]	30
Short-circuit protection	yes
Overload protection	yes

### Detection zone

Sensing range [mm]	0.5...30
Sensing range adjustable	yes
Factory setting sensing range [mm]	15
Real sensing range Sr [mm]	15 ± 10 %

### Accuracy / deviations

Hysteresis [% of Sr]	1...15
Switch point drift [% of Sr]	-15...15

# KG5300



## Capacitive sensor

KG-3150NANKG/SL/1P/IO

Interfaces		
Communication interface	IO-Link	
Transmission type	COM2 (38,4 kBaud)	
IO-Link revision	1.1	
SDCI standard	IEC 61131-9	
Profiles	Smart Sensor - SSP 0	Generic Profiled Sensor
	Function	Device identification
	Function	Multiple switching signal
	Function	Process data variable
	Function	Device diagnosis
SIO mode	yes	
Required master port type	A	
Min. process cycle time [ms]	20	
IO-Link functions (acyclical)	application specific tag; operating hours counter; normally open / normally closed (configurable); PNP / NPN (parametrierbar); switch point setting; Hysteresis	
Supported DeviceIDs	<b>Type of operation</b>	<b>DeviceID</b>
	default	795
Operating conditions		
Ambient temperature [°C]	-25...80	
Protection	IP 65; IP 67; IP 69K	
Tests / approvals		
EMC	EN 61000-4-2	30 kV AD / 4 kV CD
	EN 61000-4-3	10 V/m
	EN 61000-4-4	2 kV
	EN 61000-4-6	10 V
	EN 55011	class B
Vibration resistance	DIN EN 60947-5-2	1 mm amplitude, oscillation period 5 min., 30 min. per axis at resonance or 55 Hz
Shock resistance	DIN EN 60947-5-2	30 g 6 shocks / 11 ms half-sine (x, y, z)
MTTF [years]	1269	
UL approval	Ta	-25...60 °C
	Enclosure type	Type 1
	voltage supply	Limited Voltage/Current
	UL approval no.	D004
	File number UL	E174191
Mechanical data		
Weight [g]	62	
Housing	threaded type	
Mounting	non-flush mountable	
Dimensions [mm]	M18 x 1 / L = 92.5	
Thread designation	M18 x 1	
Materials	PBT; PC; POM	
Tightening torque [Nm]	8	
Displays / operating elements		
Display	switching status	1 x LED, yellow

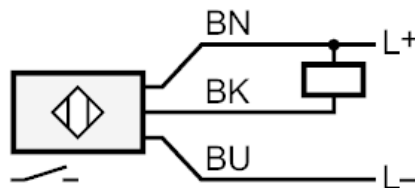
# KG5300



## Capacitive sensor

KG-3150NANKG/SL/1P/IO

Accessories	
Items supplied	lock nuts: 2
Remarks	
Pack quantity	1 pcs.
Electrical connection	
Cable: 2 m, PUR, Ø 4 mm; 3 x 0.34 mm <sup>2</sup>	
Connection	



BK:           OUT / IO-Link  
Core colours :  
BK =         black  
BN =         brown  
BU =         blue