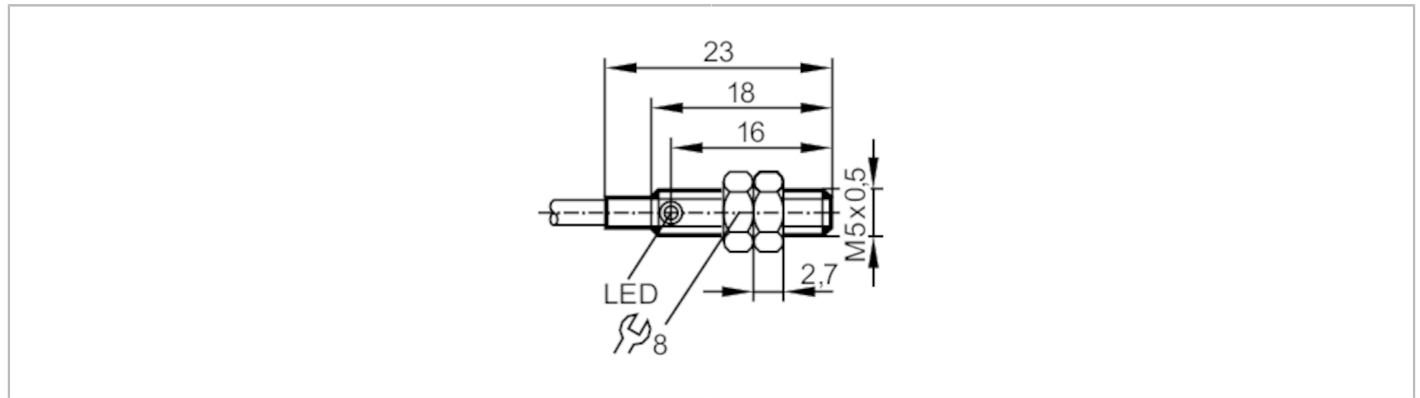


# IY5052



## Inductive sensor

IYB31,2-BPKG/V2A



Product characteristics	
Electrical design	PNP
Output function	normally open
Sensing range [mm]	1.2
Housing	threaded type
Dimensions [mm]	M5 x 0.5 / L = 23
Electrical data	
Operating voltage [V]	10...30 DC
Current consumption [mA]	< 15
Protection class	III
Reverse polarity protection	yes
Outputs	
Electrical design	PNP
Output function	normally open
Max. voltage drop switching output DC [V]	2.5
Permanent current rating of switching output DC [mA]	100
Switching frequency DC [Hz]	2000
Short-circuit protection	yes
Type of short-circuit protection	pulsed
Overload protection	yes
Detection zone	
Sensing range [mm]	1.2
Operating distance [mm]	0...0.97
Accuracy / deviations	
Correction factor	steel: 1 / stainless steel: 0.7 / brass: 0.5 / aluminium: 0.4 / copper: 0.3
Hysteresis [% of Sr]	1...15
Operating conditions	
Ambient temperature [°C]	-25...70
Protection	IP 65

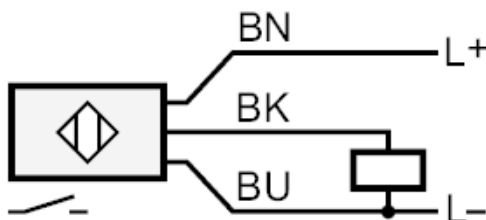
# IY5052



## Inductive sensor

IYB31,2-BPKG/V2A

Tests / approvals		
EMC		EN 60947-5-2
MTTF	[years]	952
Mechanical data		
Weight	[g]	35
Housing		threaded type
Mounting		flush mountable
Dimensions	[mm]	M5 x 0.5 / L = 23
Thread designation		M5 x 0.5
Materials		stainless steel (1.4305 / 303); POM
Displays / operating elements		
Display		switching status 1 x LED, yellow
Accessories		
Items supplied		lock nuts: 2
Remarks		
Pack quantity		1 pcs.
Electrical connection		
Cable: 2 m, PUR; 3 x 0.14 mm <sup>2</sup>		
Connection		



Core colours :

- BK = black
- BN = brown
- BU = blue