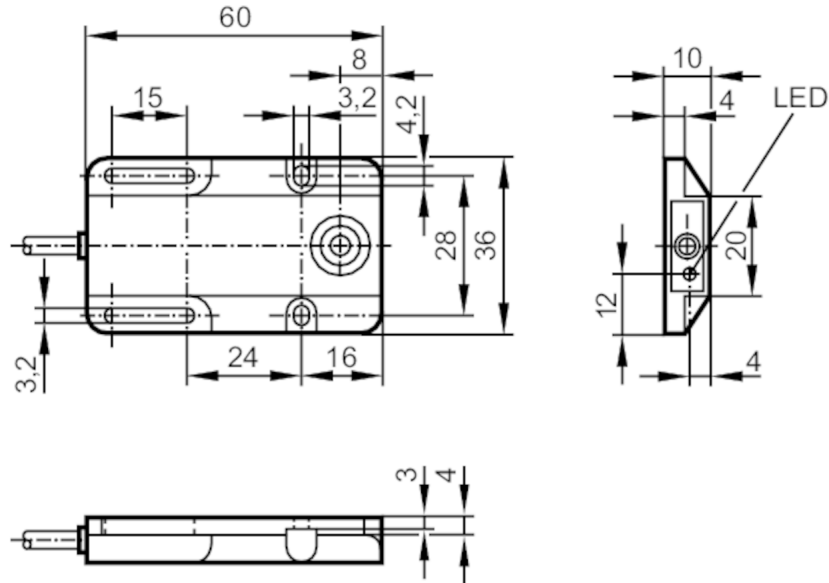




## Inductive sensor

IW-3008-BNOG/10m

Article no longer available - archive entry



### Product characteristics

Electrical design		NPN
Output function		normally closed
Sensing range	[mm]	8
Housing		rectangular
Dimensions	[mm]	60 x 36 x 10

### Electrical data

Operating voltage	[V]	10...36 DC
Current consumption	[mA]	15; (24 V)
Protection class		II
Reverse polarity protection		no

### Outputs

Electrical design		NPN
Output function		normally closed
Max. voltage drop switching output DC	[V]	1
Permanent current rating of switching output DC	[mA]	250
Switching frequency DC	[Hz]	120
Short-circuit protection		no
Overload protection		no

# IW5032



## Inductive sensor

IW-3008-BNOG/10m

Detection zone		
Sensing range	[mm]	8
Real sensing range Sr	[mm]	8 ± 10 %
Operating distance	[mm]	0...6.5
Accuracy / deviations		
Correction factor		steel: 1 / stainless steel: 0.7 / brass: 0.4 / aluminium: 0.3 / copper: 0.2
Hysteresis	[% of Sr]	1...15
Switch point drift	[% of Sr]	-10...10
Operating conditions		
Ambient temperature	[°C]	-25...80
Protection		IP 67
Tests / approvals		
EMC	EN 60947-5-2	class B
	EN 55011	
Mechanical data		
Housing		rectangular
Mounting		non-flush mountable
Dimensions	[mm]	60 x 36 x 10
Materials		PBT
Displays / operating elements		
Display	switching status	1 x LED, yellow
Remarks		
Pack quantity		1 pcs.

# IW5032



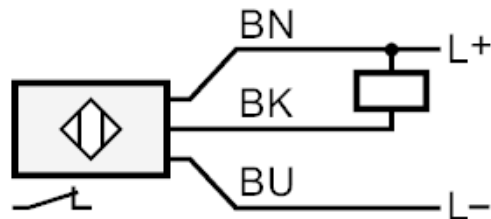
## Inductive sensor

IW-3008-BNOG/10m

### Electrical connection

Cable: 10 m, PVC; 3 x 0.14 mm<sup>2</sup>

### Connection



Core colours :

BN = brown  
BU = blue  
BK = black