

IW5001



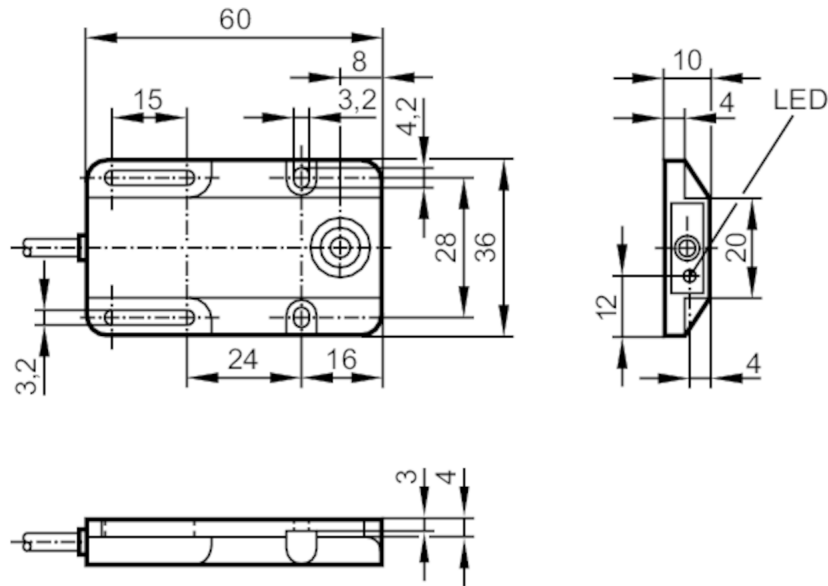
Inductive sensor

IW-3005-BPOG

Article no longer available - archive entry

Alternative articles: IW5051

When selecting an alternative article and accessories please note that technical data may differ!



Product characteristics

| | | |
|-------------------|------|---------------|
| Electrical design | | PNP |
| Output function | | normally open |
| Sensing range | [mm] | 5 |
| Housing | | rectangular |
| Dimensions | [mm] | 60 x 36 x 10 |

Electrical data

| | | |
|-----------------------------|------|------------|
| Operating voltage | [V] | 10...36 DC |
| Current consumption | [mA] | 15; (24 V) |
| Protection class | | II |
| Reverse polarity protection | | no |

Outputs

| | | |
|---|------|---------------|
| Electrical design | | PNP |
| Output function | | normally open |
| Max. voltage drop switching output DC | [V] | 1 |
| Permanent current rating of switching output DC | [mA] | 250 |
| Switching frequency DC | [Hz] | 200 |
| Short-circuit protection | | no |
| Overload protection | | no |

IW5001



Inductive sensor

IW-3005-BPOG

| Detection zone | | |
|-------------------------------|------------------|---|
| Sensing range | [mm] | 5 |
| Real sensing range Sr | [mm] | 5 ± 10 % |
| Operating distance | [mm] | 0...4.05 |
| Accuracy / deviations | | |
| Correction factor | | steel: 1 / stainless steel: 0.7 / brass: 0.4 / aluminium: 0.3 / copper: 0.2 |
| Hysteresis | [% of Sr] | 1...15 |
| Switch point drift | [% of Sr] | -10...10 |
| Operating conditions | | |
| Ambient temperature | [°C] | -25...80 |
| Protection | | IP 67 |
| Tests / approvals | | |
| EMC | EN 60947-5-2 | class B |
| | EN 55011 | |
| Mechanical data | | |
| Housing | | rectangular |
| Mounting | | flush mountable |
| Dimensions | [mm] | 60 x 36 x 10 |
| Materials | | PBT |
| Displays / operating elements | | |
| Display | switching status | 1 x LED, yellow |
| Remarks | | |
| Pack quantity | | 1 pcs. |

IW5001



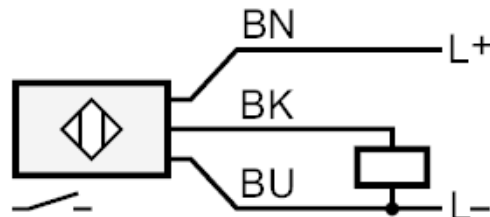
Inductive sensor

IW-3005-BPOG

Electrical connection

Cable: 2 m, PVC; 3 x 0.14 mm²

Connection



Core colours :

BN = brown
BU = blue
BK = black