

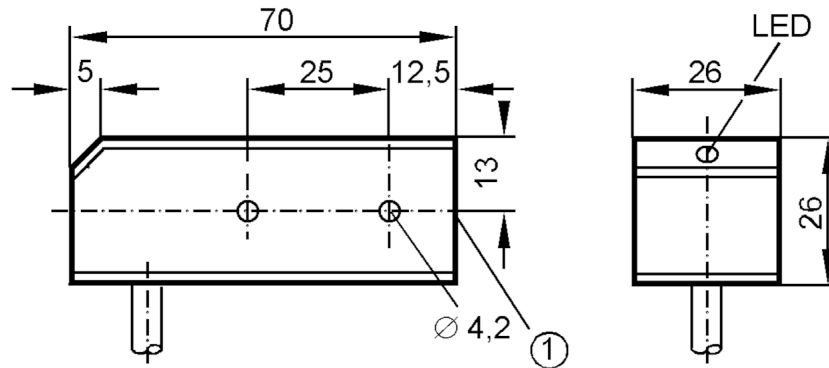
IO5003



Inductive sensor

IO-2010-ARKG/PUR

Article no longer available - archive entry



1 Sensing face



Product characteristics

Electrical design		PNP/NPN
Output function		normally open
Sensing range	[mm]	10
Housing		rectangular
Dimensions	[mm]	26 x 26 x 70

Electrical data

Operating voltage	[V]	10...55 DC
Reverse polarity protection		yes

IO5003



Inductive sensor

IO-2010-ARKG/PUR

Outputs		
Electrical design		PNP/NPN
Output function		normally open
Max. voltage drop switching output DC	[V]	6.5
Minimum load current	[mA]	5
Max. leakage current	[mA]	0.6
Permanent current rating of switching output DC	[mA]	100
Switching frequency DC	[Hz]	100
Short-circuit protection		yes
Type of short-circuit protection		pulsed
Overload protection		yes
Detection zone		
Sensing range	[mm]	10
Real sensing range Sr	[mm]	10 ± 10 %
Operating distance	[mm]	0...8.1
Accuracy / deviations		
Correction factor		steel: 1 / stainless steel: 0.7 / brass: 0.4 / aluminium: 0.4 / copper: 0.3
Hysteresis	[% of Sr]	1...15
Switch point drift	[% of Sr]	-10...10
Operating conditions		
Ambient temperature	[°C]	-25...80
Protection		IP 68
Tests / approvals		
EMC	EN 60947-5-2 EN 55011	class B
Mechanical data		
Housing		rectangular
Mounting		flush mountable
Dimensions	[mm]	26 x 26 x 70
Materials		PBT
Displays / operating elements		
Display	switching status	1 x LED, yellow
Remarks		
Pack quantity		1 pcs.

IO5003



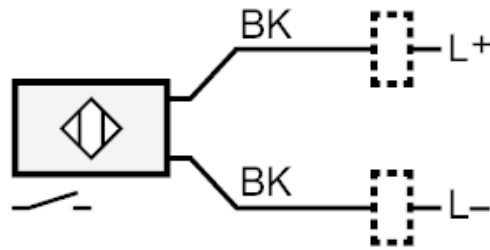
Inductive sensor

IO-2010-ARKG/PUR

Electrical connection

Cable: 2 m, PUR; 2 x 0.5 mm²

Connection



Core colours :

BK =

black