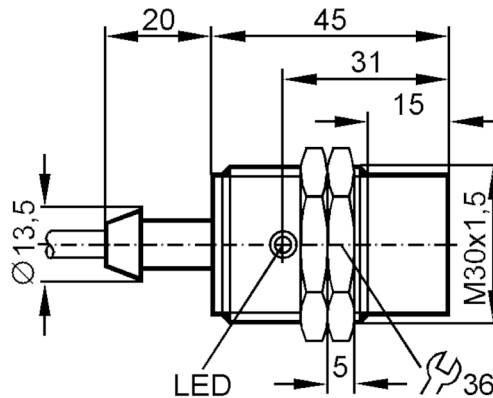




Inductive sensor

IIB3015-BNOG/MS/ 6m

Article no longer available - archive entry



Product characteristics

Electrical design		NPN
Output function		normally closed
Sensing range	[mm]	15
Housing		threaded type
Dimensions	[mm]	M30 x 1.5

Electrical data

Operating voltage	[V]	18...36 DC
Current consumption	[mA]	10; (24 V)
Protection class		II
Reverse polarity protection		no

Outputs

Electrical design		NPN
Output function		normally closed
Max. voltage drop switching output DC	[V]	2
Permanent current rating of switching output DC	[mA]	200
Switching frequency DC	[Hz]	250
Short-circuit protection		no
Overload protection		no

Detection zone

Sensing range	[mm]	15
Real sensing range Sr	[mm]	10 ± 10 %
Operating distance	[mm]	0...8.1

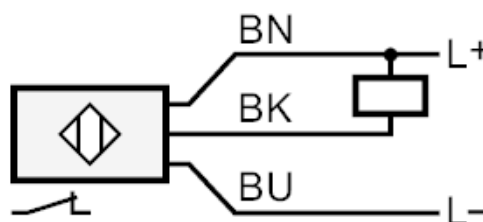
II5249



Inductive sensor

IIB3015-BNOG/MS/ 6m

Accuracy / deviations		
Correction factor	steel: 1 / stainless steel: 0.7 / brass: 0.4 / aluminium: 0.3 / copper: 0.2	
Hysteresis [% of Sr]	1...15	
Switch point drift [% of Sr]	-10...10	
Operating conditions		
Ambient temperature [°C]	-25...80	
Protection	IP 67	
Mechanical data		
Housing	threaded type	
Mounting	non-flush mountable	
Dimensions [mm]	M30 x 1.5	
Thread designation	M30 x 1.5	
Materials	brass nickel-plated; PBT	
Displays / operating elements		
Display	switching status	1 x LED, yellow
Accessories		
Items supplied	lock nuts: 2	
Remarks		
Pack quantity	1 pcs.	
Electrical connection		
Cable: 6 m, PVC; 3 x 0.5 mm ²		
Connection		



Core colours :

- BN = brown
- BU = blue
- BK = black