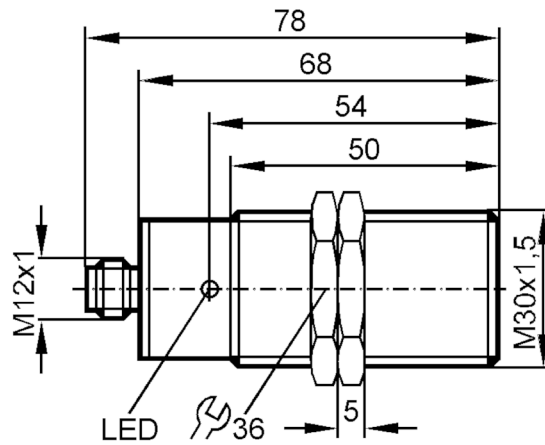




## Inductive sensor

I1A2010-ABOA/BS-400B/RT

Article no longer available - archive entry



### Product characteristics

Output function		normally open
Sensing range	[mm]	10
Housing		threaded type
Dimensions	[mm]	M30 x 1.5

### Electrical data

Operating voltage	[V]	20...250 AC/DC
Protection class		II
Reverse polarity protection		no



## Inductive sensor

IIA2010-ABOA/BS-400B/RT

Outputs		
Output function	normally open	
Max. voltage drop switching output DC [V]	6	
Max. voltage drop switching output AC [V]	6.5	
Minimum load current [mA]	5	
Max. leakage current [mA]	2.5 (250 V AC) / 1.3 (110 V AC) / 0.8 (24 V DC)	
Permanent current rating of switching output AC [mA]	250; (350 (...50 °C))	
Permanent current rating of switching output DC [mA]	100	
Short-time current rating of switching output [mA]	2200; (20 ms / 0,5 Hz)	
Switching frequency AC [Hz]	25	
Switching frequency DC [Hz]	25	
Short-circuit proof	no	
Overload protection	no	
Detection zone		
Sensing range [mm]	10	
Real sensing range Sr [mm]	10 ± 10 %	
Operating distance [mm]	0...8.1	
Accuracy / deviations		
Correction factor	steel: 1 / stainless steel: 0.7 / brass: 0.4 / aluminium: 0.3 / copper: 0.2	
Hysteresis [% of Sr]	3...15	
Switch point drift [% of Sr]	-10...10	
Operating conditions		
Ambient temperature [°C]	-25...80	
Protection	IP 67	
Tests / approvals		
EMC	EN 61000-4-2 ESD	4 kV CD / 8 kV AD
	EN 61000-4-3 HF radiated	10 V/m
	EN 61000-4-4 Burst	2 kV
	EN 61000-4-5 Surge	0,5 kV
	EN 61000-4-6 HF conducted	10 V
	EN 55011	class B
Mechanical data		
Housing	threaded type	
Mounting	flush mountable	
Dimensions [mm]	M30 x 1.5	
Thread designation	M30 x 1.5	
Materials	housing: brass white bronze coated; sensing face: PBT; LED window: PA	
Displays / operating elements		
Display	switching status	1 x LED, red
Electrical connection		
Required protection	miniature fuse to IEC60127-2 sheet 1; ≤ 2 A; fast acting	

# II0362



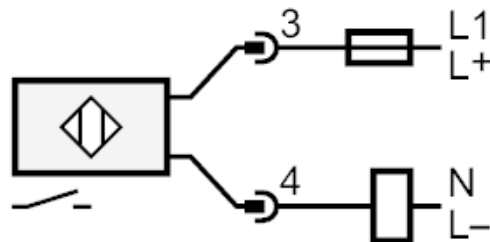
## Inductive sensor

IIA2010-ABOA/BS-400B/RT

Accessories	
Items supplied	lock nuts: 2
Remarks	
Remarks	Recommendation: Check the safe functioning of the unit after a short circuit.
Pack quantity	1 pcs.

### Electrical connection - plug

Connector: 1 x M12



Note miniature fuse to IEC60127-2 sheet 1  $\leq 2$  A fast acting