

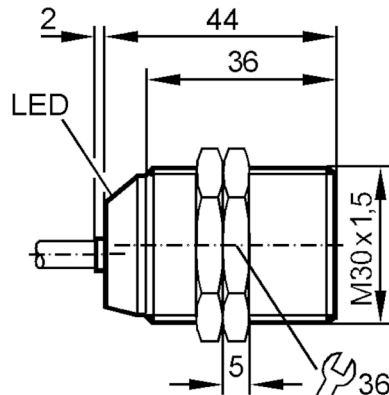


Inductive sensor

IIC2010-ABOW/3M/PH

Article no longer available - archive entry

Alternative article: II0215 When selecting an alternative article and accessories please note that technical data may differ! – When selecting an alternative article and accessories please note that technical data may differ!



Electrical data

Frequency AC	[Hz]	47...63
Operating voltage	[V]	20...250 AC
Current consumption	[mA]	< 1,5 (120 V AC) / < 3 (250 V AC)
Protection class		II
Reverse polarity protection		yes

Outputs

Output function		normally open
Max. voltage drop switching output AC	[V]	8.5
Minimum load current	[mA]	5
Permanent current rating of switching output AC	[mA]	100; (150 (...50 °C))
Short-time current rating of switching output	[mA]	900; (20 ms / 0,5 Hz)
Switching frequency AC	[Hz]	25
Short-circuit protection		no
Overload protection		no

Detection zone

Sensing range	[mm]	10
Real sensing range Sr	[mm]	10 ± 10 %
Operating distance	[mm]	0...8.1

II0218

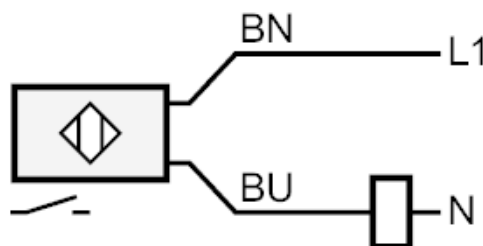


Inductive sensor

IIC2010-ABOW/3M/PH

Accuracy / deviations		
Correction factor	steel: 1 / stainless steel: 0.7 / brass: 0.5 / aluminium: 0.4 / copper: 0.3	
Hysteresis [% of Sr]	3...15	
Switch point drift [% of Sr]	-10...10	
Operating conditions		
Ambient temperature [°C]	-25...80	
Protection	IP 67	
Tests / approvals		
EMC	EN 60947-5-2	
	EN 55011	class B
Mechanical data		
Housing	threaded type	
Mounting	flush mountable	
Dimensions [mm]	M30 x 1.5	
Thread designation	M30 x 1.5	
Materials	PBT	
Displays / operating elements		
Display	switching status	1 x LED, yellow
Accessories		
Accessories (supplied)	lock nuts: 2	
Remarks		
Pack quantity	1 pcs.	
Electrical connection		
Cable: 3 m, PUR; 2 x 0.5 mm ²		

Connection



Core colours :
BN = brown
BU = blue

Article no longer available - archive entry

II0218

Inductive sensor

IIC2010-ABOW/3M/PH



Alternative article: II0215 When selecting an alternative article and accessories please note that technical data may differ! – When selecting an alternative article and accessories please note that technical data may differ!