

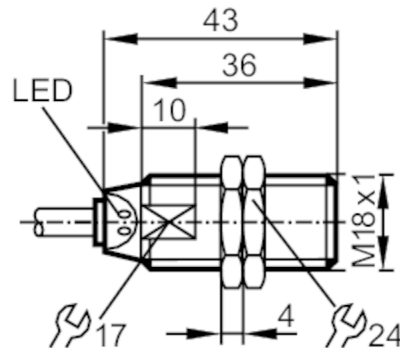
# IG5844



## Inductive sensor

IGB2008BAROG/UP/SC/0,3mDC

Article no longer available - archive entry



### Product characteristics

Electrical design	PNP/NPN
Output function	normally open
Sensing range [mm]	8
Housing	threaded type
Dimensions [mm]	M18 x 1 / L = 43

### Application

Special feature	Increased sensing range; Optical setting aid
-----------------	--

### Electrical data

Operating voltage [V]	10...36 DC
Protection class	II
Reverse polarity protection	no

### Outputs

Electrical design	PNP/NPN
Output function	normally open
Max. voltage drop switching output DC [V]	5
Minimum load current [mA]	5
Max. leakage current [mA]	1
Permanent current rating of switching output DC [mA]	100
Switching frequency DC [Hz]	100
Short-circuit protection	no
Overload protection	no

### Detection zone

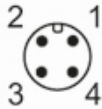
Sensing range [mm]	8
Operating distance [mm]	0...6.5
Increased sensing range	yes

# IG5844



## Inductive sensor

IGB2008BAROG/UP/SC/0,3mDC

Accuracy / deviations		
Correction factor	steel: 1 / stainless steel: 0.7 / brass: 0.4 / aluminium: 0.4 / copper: 0.3	
Hysteresis [% of Sr]	3...15	
Operating conditions		
Ambient temperature [°C]	-25...70	
Protection	IP 67	
Mechanical data		
Weight [g]	113.398	
Housing	threaded type	
Mounting	flush mountable	
Dimensions [mm]	M18 x 1 / L = 43	
Thread designation	M18 x 1	
Materials	housing: brass PTFE coated; End cap: PC	
Displays / operating elements		
Display	switching status	1 x LED, red
	switching status	1 x LED, green
Optical setting aid	yes	
Accessories		
Items supplied	lock nuts: 2	
Remarks		
Pack quantity	1 pcs.	
Electrical connection - plug		
Cable: 0.3 m, PUR; cross-linked; 2 x 0.34 mm <sup>2</sup>		
Cable: 0.3 m, PUR; protective tube; 2 x 0.34 mm <sup>2</sup>		
Connector: 1 x M12		
		

# IG5844



## Inductive sensor

IGB2008BAROG/UP/SC/0,3mDC

### Connection

