

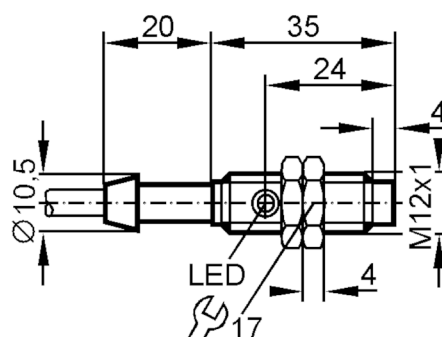
IF5276



Inductive sensor

IFB3004-ANKG/MS/10m

Article no longer available - archive entry



Product characteristics

Electrical design	NPN
Output function	normally open
Sensing range [mm]	4
Housing	threaded type
Dimensions [mm]	M12 x 1

Electrical data

Operating voltage [V]	18...36 DC
Current consumption [mA]	15; (24 V)
Protection class	II
Reverse polarity protection	yes

Outputs

Electrical design	NPN
Output function	normally open
Max. voltage drop switching output DC [V]	2.5
Permanent current rating of switching output DC [mA]	125; (150 (...50 °C))
Switching frequency DC [Hz]	400
Short-circuit protection	yes
Type of short-circuit protection	pulsed
Overload protection	yes

IF5276



Inductive sensor

IFB3004-ANKG/MS/10m

Detection zone		
Sensing range	[mm]	4
Real sensing range Sr	[mm]	4 ± 10 %
Operating distance	[mm]	0...3.25
Accuracy / deviations		
Correction factor		steel: 1 / stainless steel: 0.7 / brass: 0.4 / aluminium: 0.3 / copper: 0.2
Hysteresis	[% of Sr]	1...15
Switch point drift	[% of Sr]	-10...10
Operating conditions		
Ambient temperature	[°C]	-25...80
Protection		IP 67
Mechanical data		
Housing		threaded type
Mounting		non-flush mountable
Dimensions	[mm]	M12 x 1
Thread designation		M12 x 1
Materials		brass nickel-plated; PBT
Displays / operating elements		
Display	switching status	1 x LED, yellow
Accessories		
Items supplied		lock nuts: 2
Remarks		
Pack quantity		1 pcs.

IF5276



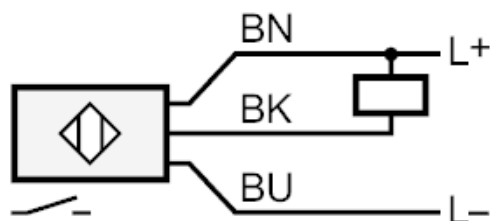
Inductive sensor

IFB3004-ANKG/MS/10m

Electrical connection

Cable: 10 m, PVC; 3 x 0.34 mm²

Connection



Core colours :

BN =

brown

BU =

blue

BK =

black