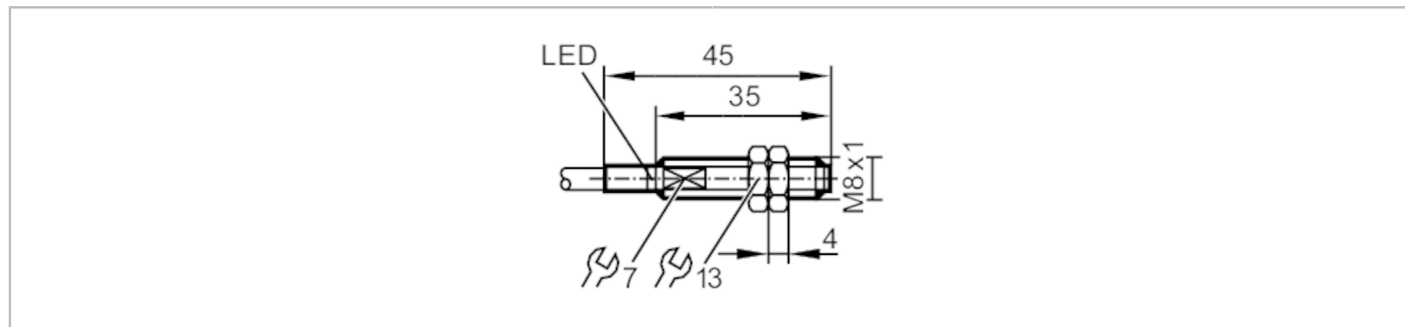


IER205



Inductive full-metal sensor

IEB2002BARKG/AM/SC/5,0M/2LED



Electrical data		
Operating voltage	[V]	10...36 DC
Protection class		III
Reverse polarity protection		yes
Outputs		
Electrical design		PNP/NPN
Output function		normally open
Max. voltage drop switching output DC	[V]	2.5
Minimum load current	[mA]	2
Max. leakage current	[mA]	0.75
Permanent current rating of switching output DC	[mA]	100
Switching frequency DC	[Hz]	150
Short-circuit protection		yes
Type of short-circuit protection		pulsed
Overload protection		yes
Detection zone		
Sensing range	[mm]	2
Operating distance	[mm]	0...1.6
Increased sensing range		yes
Accuracy / deviations		
Correction factor		steel: 1 / stainless steel: 0.6 / brass: 0.4 / aluminium: 0.3 / copper: 0.2
Hysteresis	[% of Sr]	1...20
Operating conditions		
Ambient temperature	[°C]	-25...70
Protection		IP 67

IER205



Inductive full-metal sensor

IEB2002BARKG/AM/SC/5,0M/2LED

Tests / approvals		
EMC	EN 61000-4-2 ESD	4 kV CD / 8 kV AD
	EN 61000-4-3 HF radiated	10 V/m
	EN 61000-4-4 Burst	2 kV
	EN 61000-4-6 HF conducted	10 V
	EN 55011	class B
Impact resistance	EN 60068-2-27 Ehc	1 J
MTTF [years]	1384	
UL approval	Ta	0...40 °C
	Enclosure type	Type 1
	voltage supply	Limited Voltage/Current
	File number UL	E174191
Mechanical data		
Weight [g]	108.6	
Housing	threaded type	
Mounting	flush mountable	
Dimensions [mm]	M8 x 1 / L = 45	
Thread designation	M8 x 1	
Materials	housing: stainless steel (1.4404 / 316L) anti-spatter; sensing face: stainless steel (1.4404 / 316L) anti-spatter; lock nuts: stainless steel (1.4404 / 316L) anti-spatter	
Full-metal housing	yes	
Displays / operating elements		
Display	switching status	1 x LED, green
	setting aid	1 x LED, red
Optical setting aid	yes	
Accessories		
Accessories (supplied)	lock nuts: 2	
Remarks		
Pack quantity	1 pcs.	

IER205



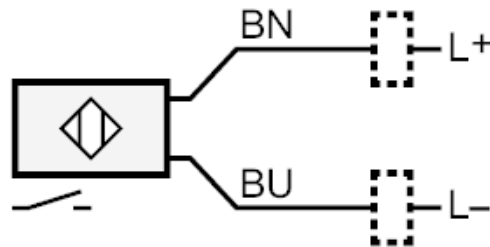
Inductive full-metal sensor

IEB2002BARKG/AM/SC/5,0M/2LED

Electrical connection

Cable: 5 m, PUR; 2 x 0.34 mm²

Connection



Core colours :

BN = brown
BU = blue