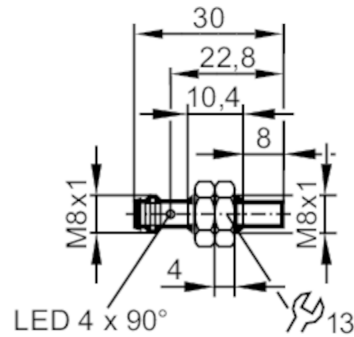


IE5422



Inductive sensor

IEB3004-APKG/V4A/AS



Product characteristics

Electrical design	PNP
Output function	normally closed
Sensing range [mm]	4
Housing	threaded type
Dimensions [mm]	M8 x 1 / L = 30

Application

Special feature	Gold-plated contacts; Increased sensing range
-----------------	---

Electrical data

Operating voltage [V]	10...30 DC
Current consumption [mA]	< 10
Protection class	III
Reverse polarity protection	yes

Outputs

Electrical design	PNP
Output function	normally closed
Max. voltage drop switching output DC [V]	2.5
Permanent current rating of switching output DC [mA]	100
Switching frequency DC [Hz]	800
Short-circuit protection	yes
Overload protection	yes

Detection zone

Sensing range [mm]	4
Real sensing range S_r [mm]	$4 \pm 10\%$
Operating distance [mm]	0...3.25
Increased sensing range	yes

Accuracy / deviations

Correction factor	steel: 1 / stainless steel: 0.7 / brass: 0.5 / aluminium: 0.5 / copper: 0.4
Hysteresis [% of S_r]	1...20
Switch point drift [% of S_r]	-10...10

IE5422



Inductive sensor

IEB3004-APKG/V4A/AS

Operating conditions

Ambient temperature	[°C]	-25...70
Protection		IP 65; IP 67; (with ifm socket duly screwed on)

Tests / approvals

EMC	EN 61000-4-2 ESD	4 kV CD / 8 kV AD
	EN 61000-4-3 HF radiated	10 V/m
	EN 61000-4-4 Burst	2 kV
	EN 61000-4-6 HF conducted	10 V
	EN 55011 emission	class B
MTTF	[years]	1443
UL approval	Ta	-25...70 °C
	Enclosure type	Type 1
	voltage supply	Limited Voltage/Current
	UL Approval no.	A017
	File number UL	E174191

Mechanical data

Weight	[g]	15
Housing		threaded type
Mounting		non-flush mountable
Dimensions	[mm]	M8 x 1 / L = 30
Thread designation		M8 x 1
Materials		stainless steel; sensing face: LCP orange; LED window: PPSU; lock nuts: stainless steel (1.4401 / 316)
Tightening torque	[Nm]	A = 5 mm: 2 Nm; B = 5 Nm

Displays / operating elements

Display	switching status	4 LED, yellow
---------	------------------	---------------

Accessories

Items supplied	lock nuts: 2
----------------	--------------

Remarks

Pack quantity	1 pcs.
---------------	--------

Electrical connection - plug

Connector: 1 x M8; Contacts: gold-plated



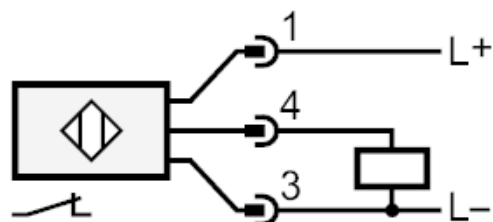
IE5422



Inductive sensor

IEB3004-APKG/V4A/AS

Connection



Diagrams and graphs

Installation

