

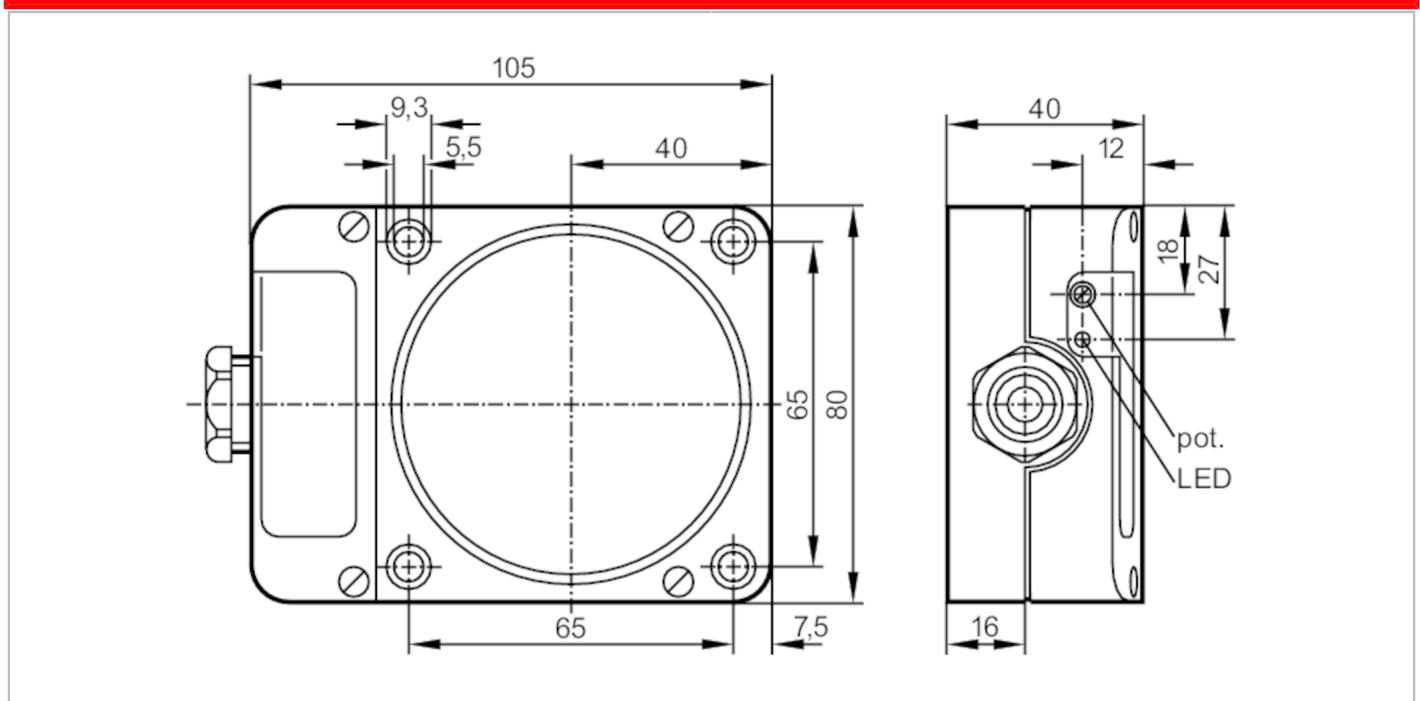
ID9200



Inductive sensor

IDE2040-ARKG

Article no longer available - archive entry



Electrical data

Operating voltage [V]	10...55 DC
Protection class	II
Reverse polarity protection	yes

Outputs

Electrical design	PNP/NPN
Output function	normally open
Max. voltage drop switching output DC [V]	4.5
Minimum load current [mA]	4
Max. leakage current [mA]	0.65 (55 V DC)
Permanent current rating of switching output DC [mA]	100
Switching frequency DC [Hz]	4
Short-circuit protection	yes
Type of short-circuit protection	pulsed
Overload protection	yes

Detection zone

Sensing range [mm]	40
Sensing range adjustable	yes
Factory setting sensing range [mm]	40
Real sensing range S_r [mm]	$40 \pm 10 \%$
Operating distance [mm]	0...40.5

ID9200

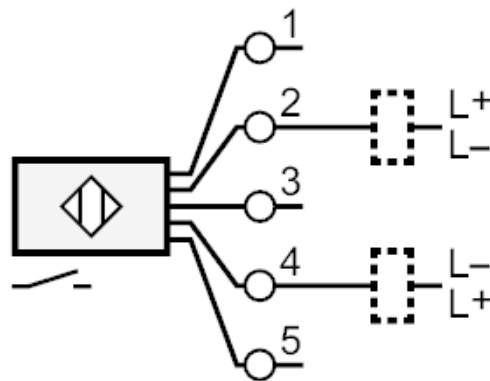


Inductive sensor

IDE2040-ARKG

Accuracy / deviations		
Correction factor	steel: 1 / stainless steel: 0.7 / brass: 0.4 / aluminium: 0.3 / copper: 0.2	
Hysteresis [% of Sr]	1...15	
Switch point drift [% of Sr]	-10...10	
Operating conditions		
Ambient temperature [°C]	-25...80	
Protection	IP 65	
Tests / approvals		
EMC	EN 60947-5-2	class B
	EN 55011	
Mechanical data		
Housing	rectangular	
Mounting	non-flush mountable	
Dimensions [mm]	105 x 80 x 40	
Materials	PPE modified	
Displays / operating elements		
Display	switching status	1 x LED, yellow
Accessories		
Accessories (supplied)	screwdriver: 1	
Remarks		
Pack quantity	1 pcs.	
Electrical connection		
terminals: ...2.5 mm ² ; Cable sheath: Ø 7...13 mm		

Connection



Article no longer available - archive entry